

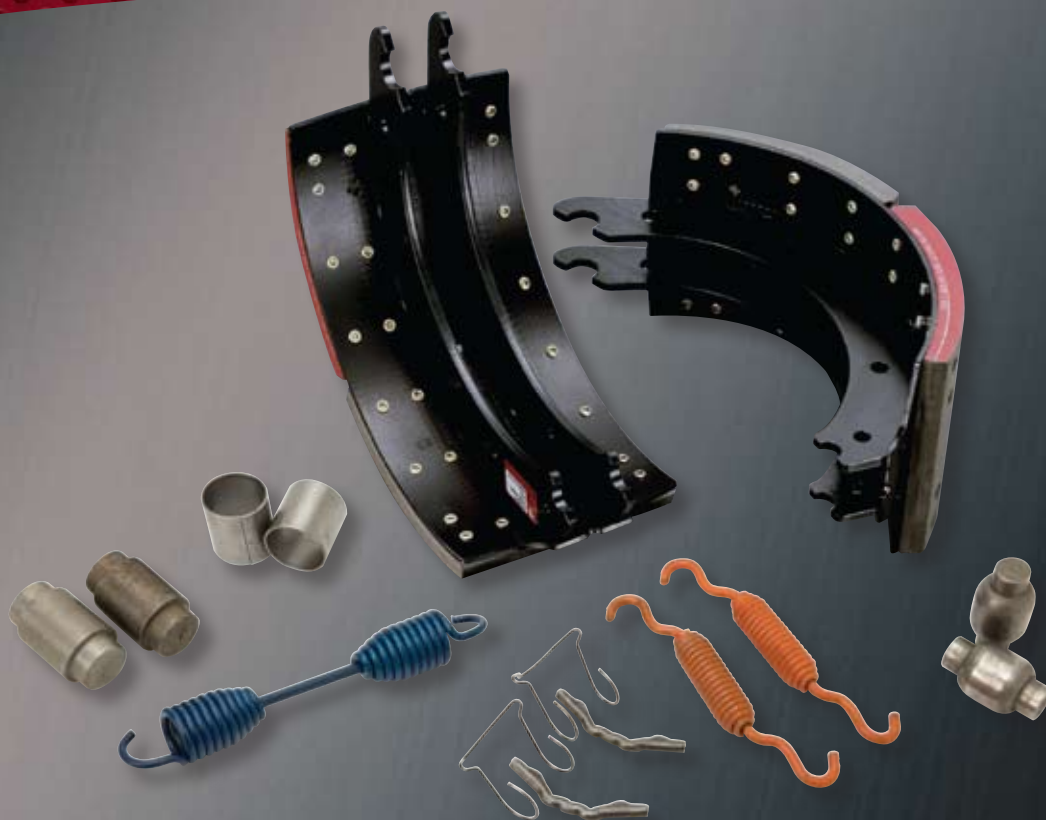


MERITOR

an ArvinMeritor[®] brand



**LINED BRAKE SHOES AND
BRAKE SHOE KITS -
NEW AND REMANUFACTURED**



PB-8857WD
Revised 9/09

INDEX

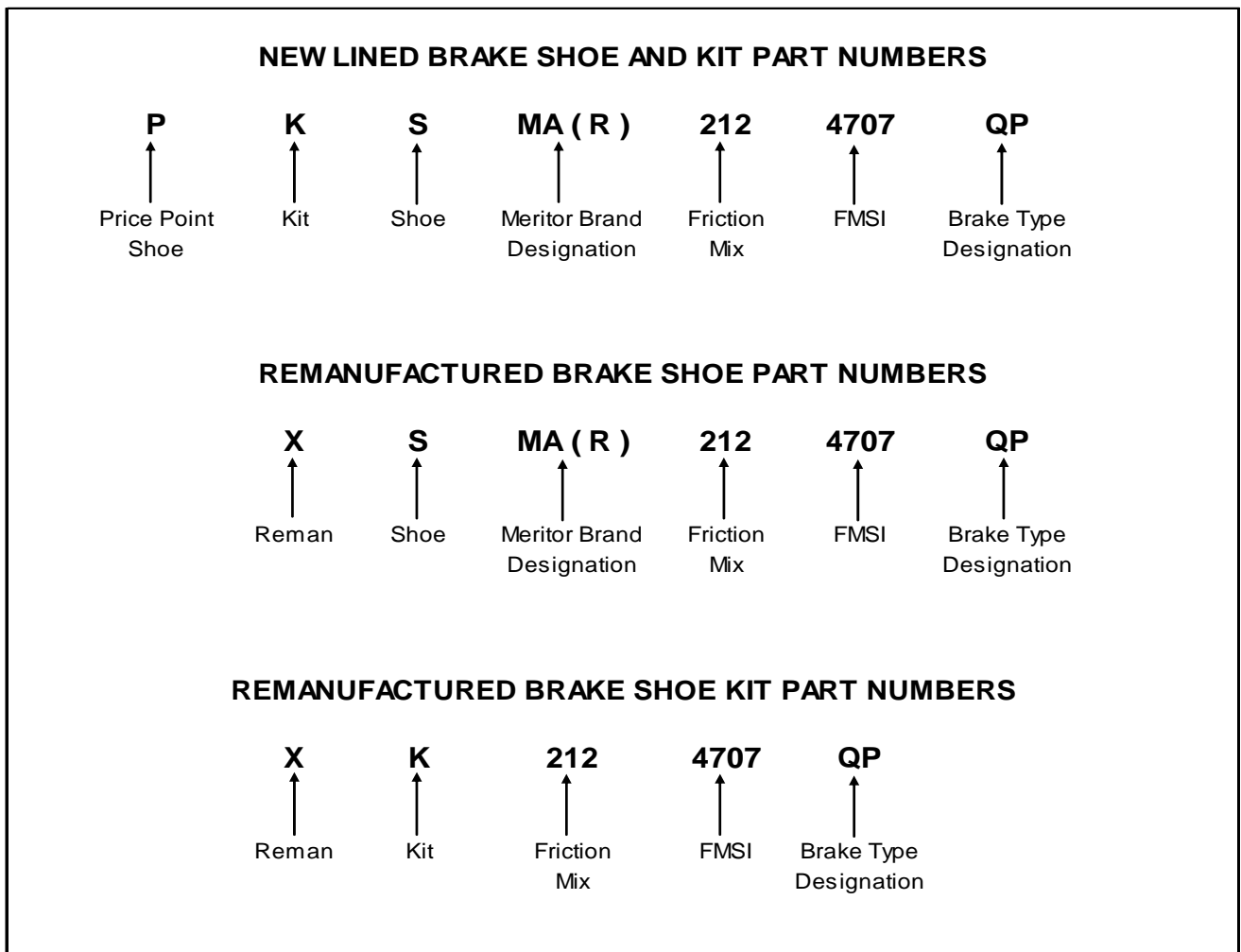
	Page
NEW LINED BRAKE SHOES & BRAKE SHOE KITS	
12-1/4" x 7-1/2" Dana Spicer Fast Change II.....	12
12-1/4" x 7-1/2" Meritor Q	12
12-1/4" x 7-1/2" Std. Forge.....	12
15" x 3-1/2" Meritor T Front.....	13
15" x 4" Eaton ES Front	13
15" x 4" Eaton Front	13
15" x 4" Meritor Q Front	14
15" x 4" Meritor Q Plus Front	14
15" x 4" Meritor Q Plus Front - for TrakLok applications.....	15
15" x 4" Meritor T Front	15
15" x 5" Meritor Lucas Hydraulic	16
15" x 5" Meritor Q Plus Front	16
15" x 6" Meritor Lucas Hydraulic	17
15" x 6" Meritor Q Plus Front	17
15" x 7" Meritor Lucas Hydraulic	17
15" x 7" Meritor Q Plus Front	18
15" x 7" Meritor Stopmaster Wedge.....	18
15" x 8-5/8" Meritor Q Plus Front	18
16-1/2" x 5" Eaton ES	19
16-1/2" x 5" Eaton High Mount.....	19
16-1/2" x 5" Meritor Q.....	19
16-1/2" x 5" Meritor Q for 1.68" Offset Spider	20
16-1/2" x 5" Meritor Q Plus.....	21
16-1/2" x 5" Meritor Q with Relocated Return Spring Hole	21
16-1/2" x 6" Eaton ES	22
16-1/2" x 6" Eaton High Mount.....	22
16-1/2" x 6" Meritor Q.....	22
16-1/2" x 6" Meritor Q Plus.....	23
16-1/2" x 6" Meritor Q with Relocated Return Spring Hole	23
16-1/2" x 7" Eaton	24
16-1/2" x 7" Eaton ES I	25
16-1/2" x 7" Eaton ES II	25
16-1/2" x 7" Eaton for Fruehauf.....	26
16-1/2" x 7" Eaton for Meritor.....	26
16-1/2" x 7" Fruehauf XEM3	27
16-1/2" x 7" Meritor P	27
16-1/2" x 7" Meritor P Cast.....	28
16-1/2" x 7" Meritor Q.....	28
16-1/2" x 7" Meritor Q Heavy Duty	29
16-1/2" x 7" Meritor Q Plus.....	30
16-1/2" x 7" Meritor Q Plus Heavy Duty	30
16-1/2" x 7" Meritor Q Plus Heavy Duty - High Mount Spring Hole	31
16-1/2" x 8" Meritor Q Plus.....	31
16-1/2" x 8-5/8" Eaton ES	32
16-1/2" x 8-5/8" Fruehauf XEM LH.....	32
16-1/2" x 8-5/8" Fruehauf XEM RH.....	33
16-1/2" x 8-5/8" Meritor Q	33
16-1/2" x 8-5/8" Meritor Q Plus	33

	Page
REMANUFACTURED BRAKE SHOES & BRAKE SHOE KITS	
12-1/4" x 7-1/2" Dana Spicer Fast Change II	37
12-1/4" x 7-1/2" Dana Spicer U	37
12-1/4" x 7-1/2" Dexter PQ.....	37
12-1/4" x 7-1/2" Eaton	38
12-1/4" x 7-1/2" Meritor Q	38
12-1/4" x 7-1/2" Standard Forge Closed Roller End	38
12-1/4" x 7-1/2" Standard Forge Open Roller End.....	39
15" x 3-1/2" Meritor Stopmaster Wedge	39
15" x 3-1/2" Meritor T Front.....	39
15" x 4" Bendix.....	40
15" x 4" Eaton ES Front - Block Lining	41
15" x 4" Eaton ES Front - Strip Lining.....	41
15" x 4" Eaton Front	40
15" x 4" Meritor Q Front	42
15" x 4" Meritor Q Plus Front	42
15" x 4" Meritor T Front.....	43
15" x 5" Meritor Lucas Hydraulic.....	43
15" x 5" Meritor Q Plus Front	44
15" x 6" Bendix Wedge	44
15" x 6" Meritor Lucas Hydraulic.....	44
15" x 6" Meritor Q Plus Front	45
15" x 6" Meritor Stopmaster Wedge.....	45
15" x 7" Meritor Lucas Hydraulic.....	45
15" x 7" Meritor Q Plus Front	46
15" x 7" Meritor Stopmaster Wedge.....	46
15" x 8-5/8" Eaton ES	46
15" x 8-5/8" Meritor Q Plus.....	47
16-1/4" x 3-1/2" Meritor T	47
16-1/2" x 4" Meritor Q.....	47
16-1/2" x 5" Eaton ES	48
16-1/2" x 5" Eaton High Mount.....	48
16-1/2" x 5" Eaton Low Mount.....	48
16-1/2" x 5" Meritor P	49
16-1/2" x 5" Meritor Q.....	49
16-1/2" x 5" Meritor Q for 1.68" Offset Spider	50
16-1/2" x 5" Meritor Q Plus.....	51
16-1/2" x 5" Meritor Q with Relocated Return Spring Hole	50
16-1/2" x 6" Eaton ES	51
16-1/2" x 6" Eaton High Mount.....	52
16-1/2" x 6" Eaton Low Mount.....	52
16-1/2" x 6" Meritor P	52
16-1/2" x 6" Meritor Q.....	53
16-1/2" x 6" Meritor Q Plus.....	54
16-1/2" x 6" Meritor Q with Relocated Return Spring Hole	53
16-1/2" x 7" Bendix.....	54
16-1/2" x 7" Eaton	55
16-1/2" x 7" Eaton ES I	55
16-1/2" x 7" Eaton ES II	56
16-1/2" x 7" Eaton High Mount.....	56
16-1/2" x 7" Fruehauf F5.....	57
16-1/2" x 7" Fruehauf P.....	57
16-1/2" x 7" Fruehauf XEM3	57
16-1/2" x 7" Meritor P	58
16-1/2" x 7" Meritor P Cast.....	59
16-1/2" x 7" Meritor Q.....	59

REMANUFACTURED BRAKE SHOES & BRAKE SHOE KITS (cont)

16-1/2" x 7" Meritor Q Heavy Duty	60
16-1/2" x 7" Meritor Q Plus	61
16-1/2" x 7" Meritor Q Plus Heavy Duty	61
16-1/2" x 7" Meritor Q Plus Heavy Duty - High Mount Spring Hole.....	62
16-1/2" x 7" Meritor Q with Relocated Return Spring Hole	60
16-1/2" x 7" Spicer XL	62
16-1/2" x 8" Meritor Q	63
16-1/2" x 8" Meritor Q Plus	63
16-1/2" x 8-5/8" Eaton	63
16-1/2" x 8-5/8" Eaton ES.....	64
16-1/2" x 8-5/8" Fruehauf XEM3 Offset.....	64
16-1/2" x 8-5/8" Meritor P	64
16-1/2" x 8-5/8" Meritor Q.....	65
16-1/2" x 8-5/8" Meritor Q Plus.....	65
16-1/2" x 10" Meritor Q.....	66
18" x 7" Eaton Cast	66
18" x 7" Meritor P Cast	66

MERITOR LINED BRAKE SHOE & KIT NUMBER SYSTEM



BRAKE TYPE DESIGNATION REFERENCE

Brake type designation letters appear at the end of new or reman shoe & kit part numbers to indicate the make and type of brake.

Brake Type Designation	Brake Manufacturer	Brake Type
B	Bendix	Bendix (core)
B	Bendix	Cam Brake (reman shoes)
BW	Bendix	Wedge Brake
D	Dexter	12-1/4" PQ Brake
D	Dana/Spicer	16-1/2" XL Brake
E	Eaton	Standard Eaton Brake / ES II Reman Kits (where there is no ES I)
E1	Eaton	ES Brake - 1st Version
E2	Eaton	ES Brake - 2nd Version
EC	Eaton	Cast Shoe (reman shoes)
EH	Eaton	High Mount Shoe
ES	Eaton	ES II (where there is no ES I) (reman shoes)
F2	Fruehauf	XEM - 2nd Version
F3	Fruehauf	XEM - 3rd Version
F3L	Fruehauf	8-5/8" LH Offset XEM3 Shoe
F3R	Fruehauf	8-5/8" RH Offset XEM3 Shoe
F5	Fruehauf	XEM Retrofit (core)
FC2	Dana/Spicer	Fast Change II Brake
G2	Eaton	ES II (core)
H	Eaton	High Mount (core)
H	Meritor	Q Brake with HeavyDuty Webs (core)
L	Meritor	Lucas Hydraulic (reman shoes)
M	Meritor	Q Brake with Heavy Duty Webs (Mack) (reman kits)
MF	Meritor	Fruehauf XEM Retrofit
P	Meritor	P Brake
PC	Meritor	Cast P Brake
Q	Meritor	Q Brake
QA	Meritor	Q Brake for 1.68" Offset Spider with Relocated Retainer Spring Hole
QM	Meritor	Q Brake with Heavy Duty Webs (Mack)
QP	Meritor	Q Plus Brake
QPM	Meritor	Q Plus Brake with Heavy Duty Webs (Mack)
QPR	Meritor	Q Plus Brake with High Mount Spring Hole
QR	Meritor	Q Brake with Relocated Return Spring Hole (Mack)
R	Meritor	Stopmaster Wedge Brake (core)
RC	Meritor	18" Cast Shoe (reman shoes)
RD	Meritor	Stopmaster Wedge Brake (new shoes)
S	Standard Forge	Standard Forge Brake
SM	Meritor	Stopmaster Wedge Brake (reman shoes)
T	Meritor	T Brake
U	Dana/Spicer	U Brake
W	Wagner	Wagner Air or Hydraulic Brake Shoe
W5, W6, W8	Wagner	Wagner 1308 Air Brake Front Shoes

MERITOR FRICTION MATERIALS

MA212 Standard Truck/Tractor/Trailer FF 21,000 lb. GAWR / 165 AL

MA212 is the standard Meritor 21,000 lb. gross axle weight rated (GAWR) brake lining for OEM production brakes. This proven material yields exceptional brake power and friction stability without sacrificing lining or drum wear. MA212 is the standard friction on Meritor trailer axles and is the lining of choice of many OEM vehicle manufacturers.

MA212 is recommended for truck, tractor, trailer and school bus applications. It performs well in hauling general cargo, grain and liquids in a variety of applications, including low boys and dump trucks – over general terrain. It can be used for over-the-highway applications or in stop-and-go urban driving.

MA212 is rated for 21,000 lb. GAWR at 165 AL (T30 chamber x 5.5" slack adjuster).

MA210 Premium Long-Life Truck/Tractor/Trailer FF 21,000 lb. GAWR / 165 AL

MA210 is designed for, and used extensively in, the Meritor MX500 Long-Life Package and other brake applications. It provides superior wear and stopping capability in all linehaul applications. MA210 is a premium, long-life material that utilizes transfer layer technology to offer excellent performance and drum compatibility for life-cycle maintenance cost reduction.

MA210 is ideally suited to truck, tractor, trailer and school bus applications. It performs well in hauling general cargo, grain and liquids in a variety of applications – over general terrain. MA210 is strongly recommended for heavy over-the-highway use.

MA210 is rated for 21,000 lb. GAWR at 165 AL (T30 chamber x 5.5" slack adjuster).

R301 Standard Truck/Tractor/Trailer FF 23,000 lb. GAWR / 180 AL

R301 is the standard Meritor 23,000 lb. GAWR brake lining for OEM production brakes. This time-proven high-performance Meritor material is engineered for demanding applications where excellent wear characteristics are needed.

R301 is recommended for truck, tractor, trailer, school bus and heavy hauling applications such as refuse and construction. It can be used on- or off-highway in various terrain conditions.

R301 is rated for 23,000 lb. GAWR at 180 AL (T30 chamber x 6.0" slack adjuster).

MA310 Premium Truck/Tractor/Trailer FF 23,000 lb. GAWR / 165 AL

MA310 has been developed as the standard Meritor 23,000 lb. GAWR brake lining for vocational vehicle applications. This material provides remarkable wear and exceptional stopping ability for the vocational needs of a fleet. MA310 was designed for demanding applications that require consistent fade resistance and solid recovery performance.

MA310 is recommended for construction, refuse and other heavy hauling applications. It can be used on- or off-highway in various terrain conditions.

MA310 is rated for 23,000 lb. GAWR at 165 AL (T30 chamber x 5.5" slack adjuster).

MERITOR FRICTION MATERIALS (continued)

MA312 Standard Truck/Tractor/Trailer FF 23,000 lb. GAWR / 180 AL

MA312 provides superior stopping power needed in demanding heavy duty linehaul and vocational vehicle operations. MA312 friction material not only meets, but surpasses, FMVSS 121 requirements in combination with either full-cast or lightweight Meritor SteelLite X30™ brake drums.

MA312 is a premium, long-life material delivering exceptional performance in applications up to 23,000 GAWR. It offers service-life improvements of up to 20 percent over comparable products, reducing costs of maintenance, downtime and materials.

MA312 is ideally suited to truck, tractor, trailer and school bus applications. It is recommended for construction, refuse and other heavy hauling applications where sure stopping power is called for. It is designed to perform equally well in both on- and off-highway applications.

MA312 is rated for 23,000 lb. GAWR at 180 AL (T30 chamber x 6.0" slack adjuster).

R403 Severe-Duty Truck/Tractor/Trailer GG 26,000 lb. GAWR / 180 AL

R403 is the Meritor 26,000 lb. GAWR brake lining for severe-duty applications. It has superior performance and fade resistance and dependable stopping capability in heavy-haul applications.

R403 is recommended for construction, refuse and other severe service applications, on- or off-highway, under various terrain conditions. It has a proven track record of recognized durability.

R403 is rated for 26,000 lb. GAWR at 180 AL (T30 chamber x 6.0" slack adjuster).

MERITOR

an **ArvinMeritor** brand

MERITOR BRAND "MA" FRICTION MATERIALS FRICTION MATERIAL PRODUCT COMPARISON GUIDE

Axle Rating (Lbs.) *	Brake Block					Lining
	21,000	21,000	23,000	23,000	26,000	12,000 Steer Axle
Meritor Genuine OE Mix	MA212	MA210	R301	MA312 (180 AL) MA310 Heavy Duty (165 AL)	R403	MA212
Coefficient of Friction	FF	FF	FF	FF	GG	FF
Brake Type	CAM	CAM	Cam	CAM	CAM	CAM
Friction Notes	Standard	Long Life	Standard	Standard/H.D.	Severe Service	Standard

AFTERMARKET FRICTION MATERIALS

This chart does not imply that the competitive material shown is equivalent to Meritor Genuine.
Aftermarket materials may differ slightly in axle rating or AL factor from the Meritor OE mixes or other mixes shown,
but are in the most similar category for comparison purposes only.

ABEX (FEDERAL MOGUL)		6008-1 6011	Premier (Ferodo)	685	685 6098	6028	6008-1
BENDIX		BXS			BXP	BXHD	
BBA	4001M		3002T			3001T	
BRAKE PRO/ CANADIAN METALLIC	CM16	CM18 CM20			CM22A	CM24 CM29	CML48
CARLISLE	MB19 MB20	HD2A MB21	CF2000		MB23 MB44	MB60	MB21 HD2L
EATON / SPICER	ES310 ES410 ES420	ES440	ES450		ES600 ES670 ES680	ES1100	
EUCLID	E77	E78			E88		E78
FRAS-LE	AF540	AF550			AF555 AF557	AF587 AF560	AF555 AF557
HEAVY DUTY FRICTION GROUP (BT/Grey Rock/Midland)	GD/2016 TT	GS/2015 Silver			GG/2020 Gold TG TW (wedge)	GP/2030 Platinum GM/2040	TT TS
MARATHON	UB	FL DL			HS HST	TS MBS	FL/DL HS
SPICER All American/Quality Assured	Silver	Blue			Red Yellow	Bronze	

COMPARISON CHART

*Rating with 16-1/2" x 7" Meritor Q Brake. AL165 = Type 30 chamber & 5-1/2" slack, AL180 = Type 30 chamber and 6" slack.

FRAS-LE FRICTION MATERIALS

AF520 Value Grade Tractor/Trailer

GF 20,000 lb. GAWR / 165 AL

AF520 is a value grade 20,000 lb. rated aftermarket friction material for the price-sensitive market. AF520 performs on on-highway, general freight applications over moderate terrain.

AF523 – Value Grade Tractor/Trailer

GG 23,000lb. GAWR / 165 AL (Type 30 chamber x 5-1/2” slack adjuster)
Non-Asbestos Medium Friction

AF523 is a value grade 23,000 lb. rated aftermarket friction material for the price-sensitive market. AF523 performs on on-highway, general freight applications over moderate terrain.

AF540-1 Economy Grade Truck/Tractor/Trailer

FF 20,000 lb. GAWR / 180 AL

AF540-1 is an economy grade 20,000 lb. rated aftermarket friction material. AF540-1 is recommended for truck, tractor and trailers carrying medium weight freight on-highway, long haul, over average terrain.

AF550-1 Standard Grade Truck/Tractor/Trailer

FF 21,000 lb. GAWR / 165 AL

AF550-1 is a standard grade 21,000 lb. rated aftermarket friction material. AF550-1 is recommended for cam and wedge brakes on truck, tractor and trailers carrying medium weight freight on-highway, long haul, over average terrain.

AF555-1 Standard Grade Truck/Tractor/Trailer

FF 23,000 lb. GAWR / 165 AL

AF555-1 is a mid-premium grade 23,000 lb. rated aftermarket friction material. AF555-1 is recommended for truck, tractor and trailers carrying heavy weight freight on-highway, long haul, over average-to-rough terrain, where applications are subjected to higher temperatures.

AF557 Premium Grade Truck/Tractor/Trailer

FF 23,000 lb. GAWR / 180 AL

AF557 is a premium grade 23,000 lb. rated aftermarket friction material. AF557 is recommended for cam and wedge brakes on truck, tractor and trailers, carrying heavy weight freight on-highway, long haul, over average-to-rough terrain. AF557 is also suited to city stop-and-go applications, as well as for liquid and grain hauling.

AF560 / AF555-1 Combination (COM)

FF / FF 25,000 lb. GAWR / 165 AL

AF560/AF555-1 Combo is a metallic / organic combination, 25,000 lb. rated, aftermarket friction material. AF560/AF555-1 Combo is recommended for cam and wedge brakes on truck, tractor and trailers, refuse hauling, off-highway, logging and other heavy weight vehicles over average-to-mountainous terrain.

FRAS-LE WD FRICTION PRODUCTS

This chart does not imply that the competitive material shown is equivalent to Meritor Genuine. Aftermarket materials may differ slightly in axle rating or AL fact from the Meritor OE mixes or other mixes shown, but are in the most similar category for comparison purposes only.

Category	Good	Better	Best
Description	Value	Economy	Standard
GAWR Rating	20k	20k	21K
AL Factor	165 AL	180 AL	180 AL

Good	Better	Best
Value	Standard	Premium
23k	23k	23k
165 AL	165 AL	180 AL

Special App.	Special App.	Special App.
Transit	Metallic	Combination
29k	25k	23 - 26k
195 AL	180 AL	165 AL

FRAS-LE WD FRICTION	AF520	AF540-1	AF550-1
---------------------	-------	---------	---------

AF523	AF555-1	AF557
-------	---------	-------

AF787T	AF560	AF560 / AF555-1
--------	-------	-----------------

Competitors

Abex	6085/6085-1 Value20	6011(EL) 6166(AN)	6008-1(EN) 6014(XL)
Alliance	Premium20		
Armada	AR1		AR2
Bendix	BXV	BXS	BXP
Bendix Spicer	Green		ES310 ES410 ES420 Silver / Silver Supreme
BrakePro	CM14 BP20		CM15 CM16
Carlisle	NA100 EC20	MB19 MB20	MB21 / HD2A
Cobreq	NABK 090	NABK 102	
Gorilla Silverback	GP20P/S, SP20P/S		
Haldex/Midland	HV77	GF3008	GD2016 GR3010
Marathon	MH	UB	DB
OTR	BRZ / BLK		BLU
Road Leveler	ECN20	STD20	PR20 ES420
TP	TP20		
VIPRO	20KSTD		20KPRE

6149(AX)	6098(SD)	685(EX)
Premium23		
AR3	AR4	
	BXHD	
Red / Yellow	Gold	ES440 ES600 ES690
CM18 BP23	CM20	CM22A-1
MB44 EC23		MB23
NABK 110		
GP23P/S, SP23P/S		
HV88	GH3023	GG3020
FLOE	DL	HS / HST
GRN	RED / ORG	
STD23	PR23 / SS23	ES600
TP23		
23KPRE		

6028(ED)	6067	685/6069
AR5	ARSM	ARCM
	ES1050 ES1100 Bronze	ES1160 Orange
CM29	CMM46	CMB42
WT56	MB60	MBC62
	NABK170	NABK 171
GP2030		GC Combo
TS	MBS	MBC
	GLD	SLV

COMPARISON CHART

XpresswayPlus.ArvinMeritor.com



XpresswayPlus.ArvinMeritor.com
For all of your parts-ordering needs

Don't forget about using *XpresswayPlus* for:

- Ordering parts online
- Order status
- Price and availability
- Invoice Lookup
- Parts Catalog
- Online e-mail or phone numbers for Customer Service, Information Services, Marketing, Catalog, and eSupport
- Reference Library
- The Company Store
- Literature
- Dealer/Distributor locator

XpresswayPlus is easy to use, can reduce phone calls, and save you valuable time.

WHAT YOU NEED:	WHERE TO LOOK:
ACCOUNT CHANGE	CUSTOMER SERVICE
AFTERMARKET & PRODUCTION ASSEMBLIES	CATALOG
APPLICATION INFORMATION	CATALOG
BILL-OF-LADING NUMBER	ORDER STATUS
BILL-OF-MATERIAL	CATALOG
BULLETINS	REFERENCE LIBRARY
CONTACT NAMES & NUMBERS	CUSTOMER SERVICE
FIELD SUPPORT REPRESENTATIVES	CUSTOMER SERVICE
INVOICE (VIEW & PRINT)	ORDER STATUS
NEWSLETTER	REFERENCE LIBRARY
ORDER DETAILS	ORDER STATUS
ORDER HISTORY FILE	ORDER STATUS
ORDER MERCHANDISE	COMPANY STORE
ORDER SUBMIT	CREATE NEW ORDER
ORDER SUBMIT - STOCK UPLOAD (MULTIPLE LINES)	CREATE NEW ORDER
PART DETAILS	CATALOG
PART IMAGES	CATALOG
PART NUMBER COMPARISON	CATALOG
PARTS BOOKS	REFERENCE LIBRARY
PASSWORD CHANGE	CUSTOMER SERVICE
PRICE (LIST)	CATALOG
PRICE (NET) & AVAILABILITY	PRICE & AVAILABILITY
PRODUCT BROCHURES	REFERENCE LIBRARY
PRODUCT UPDATES	REFERENCE LIBRARY
PROOF-OF-DELIVERY	ORDER STATUS
REQUEST-FOR-QUOTATION (FOR MERITOR BRAND)	PRICE REQUEST
SALES LITERATURE	REFERENCE LIBRARY
SEND QUESTIONS, COMMENTS, ISSUES	CONTACT US
SHIPPER NUMBER	ORDER STATUS
TECH TIPS	REFERENCE LIBRARY
TRACKING NUMBER	ORDER STATUS
WARRANTY INFORMATION	REFERENCE LIBRARY
WHERE-USED INFORMATION	CATALOG

MERITOR

an *ArvinMeritor* brand

NEW LINED BRAKE SHOES AND BRAKE SHOE KITS

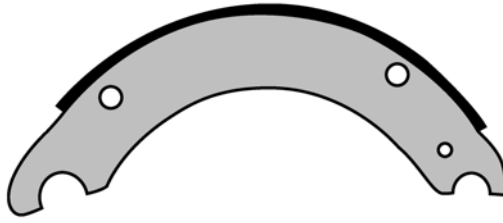
NEW PARTS ADDED:

KSF520 4311JE	KSF550 4514QM	KSR403 4707QPR	SF523 4725ES
KSF520 4709E1	KSF555 1443E	PKSMA212 4515QBL	SF523 4726ES
KSF520 4709E2	KSF555 4311JE	PKSMA212 4707QPBL	SF540 4311JE
KSF523 1308Q	KSF555 4715QP	PKSMA312 4515QBL	SF540 4709ES
KSF523 4223EH	KSF555 4719E	PSMA212 4515QBL	SF550 4311JE
KSF523 4311JE	KSF5554719R	PSMA212 4707QPBL	SF550 4514QM
KSF523 4317EH	KSF557 4311JE	PSMA312 4515QBL	SF555 1443ES
KSF523 4514Q	KSFCOM4311JE	SF520 4311JE	SF555 4311JE
KSF523 4515Q	KSFCOM4524QR	SF520 4709E1	SF555 4715QP
KSF523 4524Q	KSMA212 4515F3BL	SF520 4709E2	SF555 4719ES
KSF523 4670Q	KSMA212 4692FC2	SF523 1308Q	SF557 4311JE
KSF523 4702QP	KSMA212 4692FC2A	SF523 4223EH	SFCOM4311JE
KSF523 4702QP	KSMA212 4702QPBL	SF523 4311JE	SFCOM4524QR
KSF523 4703QP	KSMA212 4707QPBL	SF523 4317EH	SMA212 4515F3BL
KSF523 4707QP	KSMA212 4709E2BL	SF523 4514Q	SMA212 4692FC2
KSF523 4709E1	KSMA212 4719E	SF523 4515Q	SMA212 4702QPBL
KSF523 4709E2	KSMA212 4719R	SF523 4524Q	SMA212 4707QPBL
KSF523 4710QP	KSMA212 4725E	SF523 4670Q	SMA212 4709E2BL
KSF523 4711QP	KSMA212 4725R	SF523 4702QP	SMA212 4719E
KSF523 4715QP	KSMA312 4311EBL	SF523 4703QP	SMA212 4725E
KSF523 4718QP	KSMA312 4515F3BL	SF523 4707QP	SMA312 4311EBL
KSF523 4719E	KSMA312 4702QPBL	SF523 4709E1	SMA312 4515F3BL
KSF523 4719R	KSMA312 4707QPBL	SF523 4709E2	SMA312 4702QPBL
KSF523 4725E	KSMA312 4709E2BL	SF523 4710QP	SMA312 4707QPBL
KSF523 4725R	KSMA312 4719E	SF523 4711QP	SMA312 4709E2BL
KSF523 4726R	KSMA312 4719R	SF523 4715QP	SMA312 4719ES
KSF540 4311JE	KSMA312 4725E	SF523 4718QP	SMA312 4725ES
KSF540 4709ES	KSMA312 4725R	SF523 4719ES	SR301 4707QPR
KSF550 4311JE	KSR301 4707QPR	SF523 4720QP	SR403 4707QPR

Because you need a partner, not just a part.

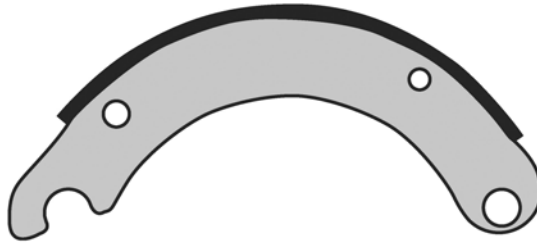
NEW LINED BRAKE SHOES & BRAKE SHOE KITS

12-1/4" x 7-1/2" Dana Spicer Fast Change II



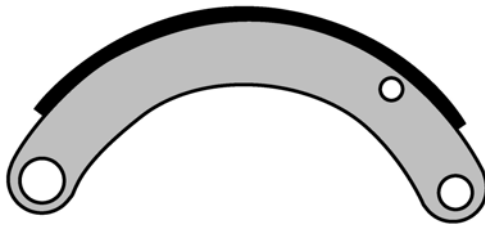
LINING TYPE	FMSI NO.	MERITOR FRICTION MIX	NEW LINED BRAKE SHOE NUMBER	NEW LINED BRAKE SHOE KIT NUMBER	MINOR HARDWARE KIT NUMBER	NEW SHOE NUMBER	
						MERITOR PRODUCTION	MERITOR AFTER-MARKET
Meritor Production	4692	MA212	SMA212 4692FC2 ¹	KSMA212 4692FC2 KSMA212 4692FC2A	R507017 R507092		R700028

12-1/4" x 7-1/2" Meritor Q



LINING TYPE	FMSI NO.	MERITOR FRICTION MIX	NEW LINED BRAKE SHOE NUMBER	NEW LINED BRAKE SHOE KIT NUMBER	MINOR HARDWARE KIT NUMBER	NEW SHOE NUMBER	
						MERITOR PRODUCTION	MERITOR AFTER-MARKET
Fras-Le Aftermarket	4670	AF523	SF523 4670Q	KSF523 4670Q	KIT 8004	A3222-V-2466	
	4670	AF555-1	SF555 4670Q	KSF555 4670Q	KIT 8004	A3222-V-2466	
Meritor Production	4670	MA312	SMA312 4670Q	KSMA312 4670Q	KIT 8004	A3222-V-2466	
	4670	R301	SR301 4670Q	KSR301 4670Q	KIT 8004	A3222-V-2466	

12-1/4" x 7-1/2" Std. Forge

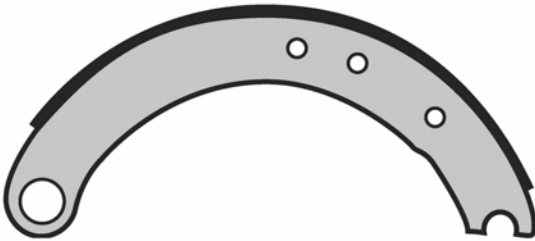


LINING TYPE	FMSI NO.	MERITOR FRICTION MIX	NEW LINED BRAKE SHOE NUMBER	NEW LINED BRAKE SHOE KIT NUMBER	MINOR HARDWARE KIT NUMBER	NEW SHOE NUMBER	
						MERITOR PRODUCTION	MERITOR AFTER-MARKET
Fras-Le Aftermarket	4591	AF550-1	SF550 4591S	KSF550 4591S	R507015		R704591
	4591	AF555-1	SF555 4591S	KSF555 4591S	R507015		R704591
	4591	AF557	SF557 4591S	KSF557 4591S	R507015		R704591

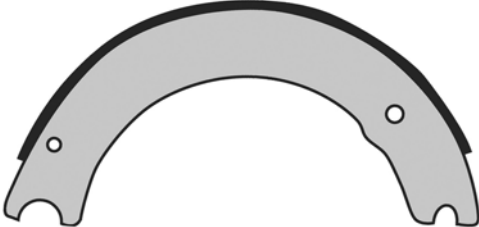
¹ KSMA212 4692FC2A For trailer axles with ABS

NEW LINED BRAKE SHOES & BRAKE SHOE KITS

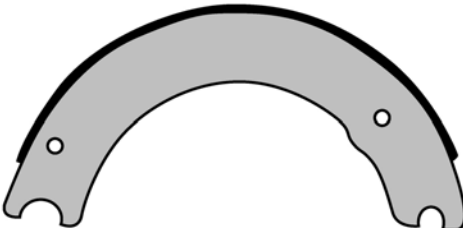
15" x 3-1/2" Meritor T Front

							
LINING TYPE	FMSI NO.	MERITOR FRICTION MIX	NEW LINED BRAKE SHOE NUMBER	NEW LINED BRAKE SHOE KIT NUMBER	MINOR HARDWARE KIT NUMBER	NEW SHOE NUMBER	
						MERITOR PRODUCTION	MERITOR AFTER-MARKET
Meritor Production	1307	MA212	SMA212 1307T	KSMA212 1307T	KIT 9305	A3222-K-1103	
	1307	R301	SR301 1307T	KSR301 1307T	KIT 9305	A3222-K-1103	

15" x 4" Eaton Front

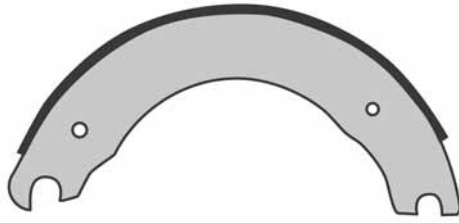
							
LINING TYPE	FMSI NO.	MERITOR FRICTION MIX	NEW LINED BRAKE SHOE NUMBER	NEW LINED BRAKE SHOE KIT NUMBER	MINOR HARDWARE KIT NUMBER	NEW SHOE NUMBER	
						MERITOR PRODUCTION	MERITOR AFTER-MARKET
Fras-Le Aftermarket	1308TT	AF550-1	SF550 1308E	KSF550 1308E	MKT 1308E		R1308E
	1308TT	AF555-1	SF555 1308E	KSF555 1308E	MKT 1308E		R1308E
	1308TT	AF557	SF557 1308E	KSF557 1308E	MKT 1308E		R1308E
Meritor Production	1308TT	MA210	SMA210 1308E	KSMA210 1308E	MKT 1308E		R1308E
	1308TT	MA212	SMA212 1308E	KSMA212 1308E	MKT 1308E		R1308E
	1308TT	MA310	SMA310 1308E	KSMA310 1308E	MKT 1308E		R1308E
	1308TT	MA312	SMA312 1308E	KSMA312 1308E	MKT 1308E		R1308E
	1308TT	R301	SR301 1308E	KSR301 1308E	MKT 1308E		R1308E

15" x 4" Eaton ES Front

							
LINING TYPE	FMSI NO.	MERITOR FRICTION MIX	NEW LINED BRAKE SHOE NUMBER	NEW LINED BRAKE SHOE KIT NUMBER	MINOR HARDWARE KIT NUMBER	NEW SHOE NUMBER	
						MERITOR PRODUCTION	MERITOR AFTER-MARKET
Fras-Le Aftermarket	1443TT	F550-1	SF555 1443ES	KSF555 1443E	MKT 1308E		R700017
Meritor Production	1443TT	MA212	SMA212 1443E	KSMA212 1443E	MKT 1308E		R700017
	1443TT	MA312	SMA312 1443E	KSMA312 1443E	MKT 1308E		R700017

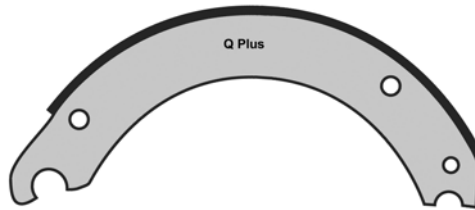
NEW LINED BRAKE SHOES & BRAKE SHOE KITS

15" x 4" Meritor Q Front



LINING TYPE	FMSI NO.	MERITOR FRICTION MIX	NEW LINED BRAKE SHOE NUMBER	NEW LINED BRAKE SHOE KIT NUMBER	MINOR HARDWARE KIT NUMBER	NEW SHOE NUMBER	
						MERITOR PRODUCTION	MERITOR AFTER-MARKET
Fras-Le Aftermarket	1308TT	AF523	SF523 1308Q	KSF523 1308Q	KIT 8029	A3222-F-1982	
	1308TT	AF550-1	SF550 1308Q	KSF550 1308Q	KIT 8029	A3222-F-1982	
	1308TT	AF555-1	SF555 1308Q	KSF555 1308Q	KIT 8029	A3222-F-1982	
	1308TT	AF557	SF557 1308Q	KSF557 1308Q	KIT 8029	A3222-F-1982	
Meritor Production	1308TT	MA210	SMA210 1308Q	KSMA210 1308Q	KIT 8021	A3222-F-1982	
	1308TT	MA212	SMA212 1308Q	KSMA212 1308Q	KIT 8021	A3222-F-1982	
	1308TT	MA310	SMA310 1308Q	KSMA310 1308Q	KIT 8021	A3222-F-1982	
	1308TT	MA312	SMA312 1308Q	KSMA312 1308Q	KIT 8021	A3222-F-1982	
	1308TT	R301	SR301 1308Q	KSR301 1308Q	KIT 8021	A3222-F-1982	

15" x 4" Meritor Q Plus Front

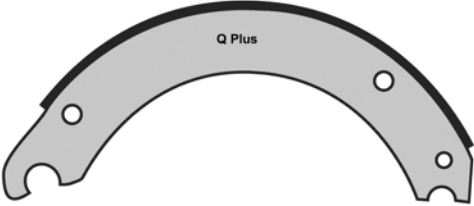


LINING TYPE	FMSI NO.	MERITOR FRICTION MIX	NEW LINED BRAKE SHOE NUMBER	NEW LINED BRAKE SHOE KIT NUMBER	MINOR HARDWARE KIT NUMBER	NEW SHOE NUMBER	
						MERITOR PRODUCTION	MERITOR AFTER-MARKET
Fras-Le Aftermarket	4702	AF523	SF523 4702QP	KSF523 4702QP	MKT 4702KT	A3222-M-2223	
	4702	AF550-1	SF550 4702QP	KSF550 4702QP	MKT 4702KT	A3222-M-2223	
	4702	AF555-1	SF555 4702QP	KSF555 4702QP	MKT 4702KT	A3222-M-2223	
	4702	AF557	SF557 4702QP	KSF557 4702QP	MKT 4702KT	A3222-M-2223	
Meritor Production	4702	MA210	SMA210 4702QP	KSMA210 4702QP	KIT 8824HD	A3222-M-2223	
	4702	MA212	SMA212 4702QP	KSMA212 4702QP	KIT 8824HD	A3222-M-2223	
	4702	MA212	SMA212 4702QPBL ²	KSMA212 4702QPBL	KIT 8824HD	A3222-M-2223	
	4702	MA310	SMA310 4702QP	KSMA310 4702QP	KIT 8824HD	A3222-M-2223	
	4702	MA312	SMA312 4702QP	KSMA312 4702QP	KIT 8824HD	A3222-M-2223	
	4702	MA312	SMA312 4702QPBL ²	KSMA312 4702QPBL	KIT 8824HD	A3222-M-2223	
	4702	R301	SR301 4702QP	KSR301 4702QP	KIT 8824HD	A3222-M-2223	

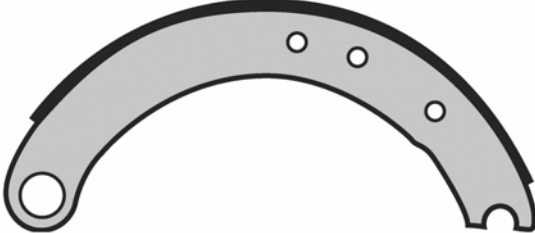
² Contains B-Lock shoe coating.

NEW LINED BRAKE SHOES & BRAKE SHOE KITS

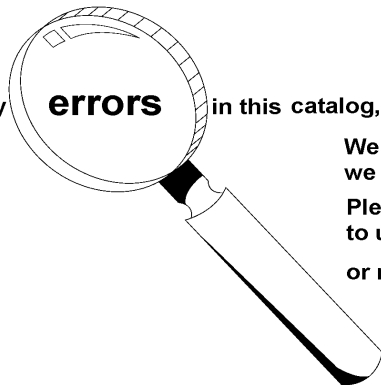
15" x 4" Meritor Q Plus Front - for TrakLok applications

							
LINING TYPE	FMSI NO.	MERITOR FRICTION MIX	NEW LINED BRAKE SHOE NUMBER	NEW LINED BRAKE SHOE KIT NUMBER	MINOR HARDWARE KIT NUMBER	NEW SHOE NUMBER	
						MERITOR PRODUCTION	MERITOR AFTER-MARKET
Meritor Production	4702	MA212	SMA212 4702OPT	KSMA212 4702OPT	KIT 8847HDA	A3222-M-2223	

15" x 4" Meritor T Front

							
LINING TYPE	FMSI NO.	MERITOR FRICTION MIX	NEW LINED BRAKE SHOE NUMBER	NEW LINED BRAKE SHOE KIT NUMBER	MINOR HARDWARE KIT NUMBER	NEW SHOE NUMBER	
						MERITOR PRODUCTION	MERITOR AFTER-MARKET
Fras-Le Aftermarket	1308TT	AF557	SF557 1308T	KSF557 1308T	KIT 1125	A3222-F-1072	
Meritor Production	1308TT	MA210	SMA210 1308T	KSMA210 1308T	KIT 9094	A3222-F-1072	
	1308TT	MA212	SMA212 1308T	KSMA212 1308T	KIT 9094	A3222-F-1072	
	1308TT	MA310	SMA310 1308T	KSMA310 1308T	KIT 9094	A3222-F-1072	
	1308TT	R301	SR301 1308T	KSR301 1308T	KIT 9094	A3222-F-1072	

If you detect any **errors** in this catalog, please let us know.



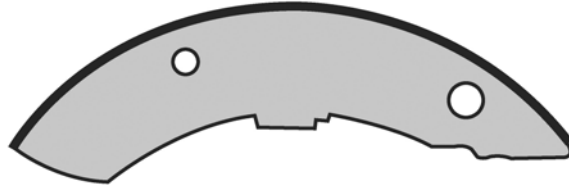
We want the information to be as accurate as possible; we appreciate your help in making it so.

Please e-mail any comments/suggestions/corrections to us at: catalogfeedback@arvinmeritor.com

or mail to: ArvinMeritor
attn: Catalog Dept.
7975 Dixie Highway
Florence, KY 41042

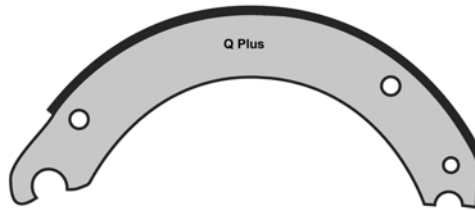
NEW LINED BRAKE SHOES & BRAKE SHOE KITS

15" x 5" Meritor Lucas Hydraulic



LINING TYPE	FMSI NO.	MERITOR FRICTION MIX	NEW LINED BRAKE SHOE NUMBER	NEW LINED BRAKE SHOE KIT NUMBER	MINOR HARDWARE KIT NUMBER	NEW SHOE NUMBER	
						MERITOR PRODUCTION	MERITOR AFTER-MARKET
Meritor Production	4528A	MA212	SMA212 4528		SP7896S , SP7897S	45 1003	

15" x 5" Meritor Q Plus Front



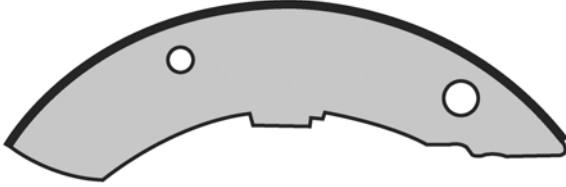
LINING TYPE	FMSI NO.	MERITOR FRICTION MIX	NEW LINED BRAKE SHOE NUMBER	NEW LINED BRAKE SHOE KIT NUMBER	MINOR HARDWARE KIT NUMBER	NEW SHOE NUMBER	
						MERITOR PRODUCTION	MERITOR AFTER-MARKET
Fras-Le Aftermarket	4703	AF523	SF523 4703QP	KSF523 4703QP	MKT 4702KT	A3222-D-2110	
	4703	AF557	SF557 4703QP	KSF557 4703QP	MKT 4702KT	A3222-D-2110	
Meritor Production	4703	MA212	SMA212 4703QP	KSMA212 4703QP	KIT 8824HD	A3222-D-2110	
	4703	MA312	SMA312 4703QP	KSMA312 4703QP	KIT 8824HD	A3222-D-2110	
	4703	R301	SR301 4703QP	KSR301 4703QP	KIT 8824HD	A3222-D-2110	
	4703	R403	SR403 4703QP	KSR403 4703QP	KIT 8824HD	A3222-D-2110	

For additional: Parts Information
Cross Reference
Production Bills of Material

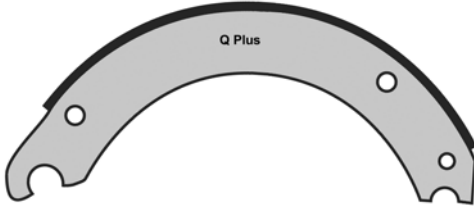
visit our online catalog at: XpresswayPlus.ArvinMeritor.com

NEW LINED BRAKE SHOES & BRAKE SHOE KITS

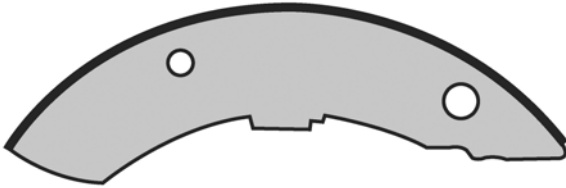
15" x 6" Meritor Lucas Hydraulic

							
LINING TYPE	FMSI NO.	MERITOR FRICTION MIX	NEW LINED BRAKE SHOE NUMBER	NEW LINED BRAKE SHOE KIT NUMBER	MINOR HARDWARE KIT NUMBER	NEW SHOE NUMBER	
						MERITOR PRODUCTION	MERITOR AFTER-MARKET
Meritor Production	4504A	MA212	SMA212 4504		SP7896S , SP7897S	45 1004	

15" x 6" Meritor Q Plus Front

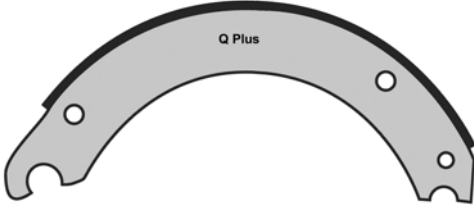
							
LINING TYPE	FMSI NO.	MERITOR FRICTION MIX	NEW LINED BRAKE SHOE NUMBER	NEW LINED BRAKE SHOE KIT NUMBER	MINOR HARDWARE KIT NUMBER	NEW SHOE NUMBER	
						MERITOR PRODUCTION	MERITOR AFTER-MARKET
Meritor Production	4704	MA212	SMA212 4704QP	KSMA212 4704QP	KIT 8824HD	A3222-E-2111	
	4704	R301	SR301 4704QP	KSR301 4704QP	KIT 8824HD	A3222-E-2111	

15" x 7" Meritor Lucas Hydraulic

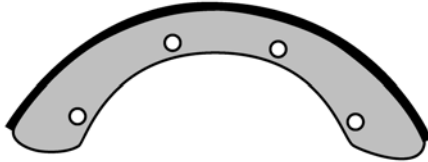
							
LINING TYPE	FMSI NO.	MERITOR FRICTION MIX	NEW LINED BRAKE SHOE NUMBER	NEW LINED BRAKE SHOE KIT NUMBER	MINOR HARDWARE KIT NUMBER	NEW SHOE NUMBER	
						MERITOR PRODUCTION	MERITOR AFTER-MARKET
Meritor Production	4505A	MA212	SMA212 4505		SP7896S , SP7897S	45 1005	

NEW LINED BRAKE SHOES & BRAKE SHOE KITS

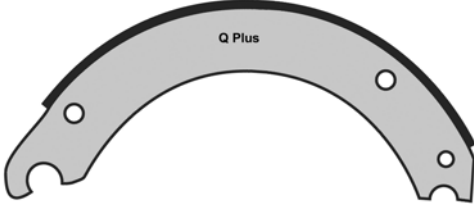
15" x 7" Meritor Q Plus Front

							
LINING TYPE	FMSI NO.	MERITOR FRICTION MIX	NEW LINED BRAKE SHOE NUMBER	NEW LINED BRAKE SHOE KIT NUMBER	MINOR HARDWARE KIT NUMBER	NEW SHOE NUMBER	
						MERITOR PRODUCTION	MERITOR AFTER-MARKET
Meritor Production	4705	MA212	SMA212 4705QP	KSMA212 4705QP	KIT 8824HD	A3222-F-2112	
	4705	R301	SR301 4705QP	KSR301 4705QP	KIT 8824HD	A3222-F-2112	

15" x 7" Meritor Stopmaster Wedge

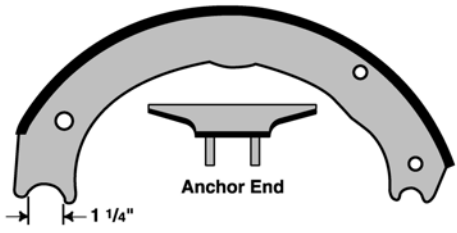
							
LINING TYPE	FMSI NO.	MERITOR FRICTION MIX	NEW LINED BRAKE SHOE NUMBER	NEW LINED BRAKE SHOE KIT NUMBER	MINOR HARDWARE KIT NUMBER	NEW SHOE NUMBER	
						MERITOR PRODUCTION	MERITOR AFTER-MARKET
Meritor Production	4602	R403	SR403 4602RD	KSR403 4602RD	KIT 1162	A3222-S-2021	

15" x 8-5/8" Meritor Q Plus Front

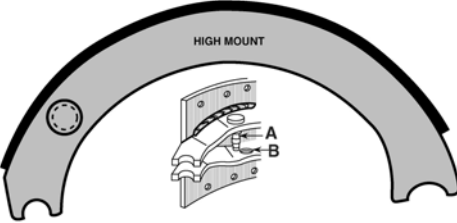
							
LINING TYPE	FMSI NO.	MERITOR FRICTION MIX	NEW LINED BRAKE SHOE NUMBER	NEW LINED BRAKE SHOE KIT NUMBER	MINOR HARDWARE KIT NUMBER	NEW SHOE NUMBER	
						MERITOR PRODUCTION	MERITOR AFTER-MARKET
Fras-Le Aftermarket	4710	AF523	SF523 4710QP	KSF523 4710QP	KIT 8824HD	A3222-A-2159	
Meritor Production	4710	MA212	SMA212 4710QP	KSMA212 4710QP	KIT 8824HD	A3222-A-2159	
	4710	MA312	SMA312 4710QP	KSMA312 4710QP	KIT 8824HD	A3222-A-2159	
	4710	R301	SR301 4710QP	KSR301 4710QP	KIT 8824HD	A3222-A-2159	

NEW LINED BRAKE SHOES & BRAKE SHOE KITS

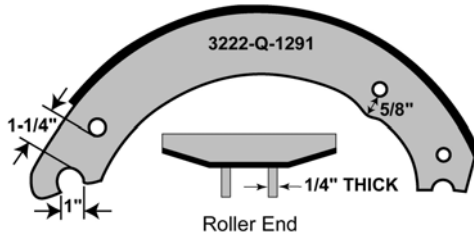
16-1/2" x 5" Eaton ES

							
LINING TYPE	FMSI NO.	MERITOR FRICTION MIX	NEW LINED BRAKE SHOE NUMBER	NEW LINED BRAKE SHOE KIT NUMBER	MINOR HARDWARE KIT NUMBER	NEW SHOE NUMBER	
						MERITOR PRODUCTION	MERITOR AFTER-MARKET
Fras-Le Aftermarket	4719	AF523	SF523 4719ES	KSF523 4719R ⁵ KSF523 4719E ⁴	MKT 4709ES2-N R507094		R700024
	4719	AF523	SF555 4719ES	KSF555 4719R ⁵ KSF555 4719E ⁴	MKT 4709ES2-N R507094		R700024
Meritor Production	4719	MA212	SMA212 4719E	KSMA212 4719R ⁵ KSMA212 4719E ⁴	MKT 4709ES2-N R507094		R700024
	4719	MA312	SMA312 4719ES	KSMA312 4719R ⁵ KSMA312 4719E ⁴	MKT 4709ES2-N R507094		R700024

16-1/2" x 5" Eaton High Mount

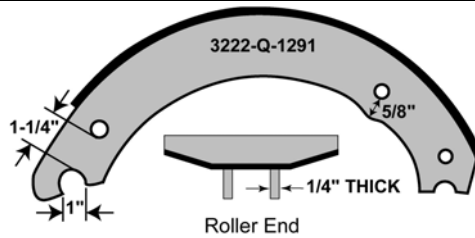
							
LINING TYPE	FMSI NO.	MERITOR FRICTION MIX	NEW LINED BRAKE SHOE NUMBER	NEW LINED BRAKE SHOE KIT NUMBER	MINOR HARDWARE KIT NUMBER	NEW SHOE NUMBER	
						MERITOR PRODUCTION	MERITOR AFTER-MARKET
Fras-Le Aftermarket	4223A	MA212	SF523 4223EH	KSF523 4223EH	R507077		R700008

16-1/2" x 5" Meritor Q

							
LINING TYPE	FMSI NO.	MERITOR FRICTION MIX	NEW LINED BRAKE SHOE NUMBER	NEW LINED BRAKE SHOE KIT NUMBER	MINOR HARDWARE KIT NUMBER	NEW SHOE NUMBER	
						MERITOR PRODUCTION	MERITOR AFTER-MARKET
Fras-Le Aftermarket	4524B	AF523	SF523 4524Q	KSF523 4524Q	MKT 4515Q-N	A3222-E-1383	
	4524B	AF550-1	SF550 4524Q	KSF550 4524Q	MKT 4515Q-N	A3222-E-1383	
	4524B	AF555-1	SF555 4524Q	KSF555 4524Q	MKT 4515Q-N	A3222-E-1383	
	4524B	AF557	SF557 4524Q	KSF557 4524Q	MKT 4515Q-N	A3222-E-1383	
	4524B	AF560/555-1	SFCOM 4524Q	KSFCOM 4524Q	MKT 4515Q-N	A3222-E-1383	

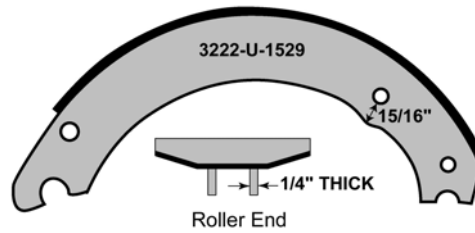
NEW LINED BRAKE SHOES & BRAKE SHOE KITS

16-1/2" x 5" Meritor Q



LINING TYPE	FMSI NO.	MERITOR FRICTION MIX	NEW LINED BRAKE SHOE NUMBER	NEW LINED BRAKE SHOE KIT NUMBER	MINOR HARDWARE KIT NUMBER	NEW SHOE NUMBER	
						MERITOR PRODUCTION	MERITOR AFTER-MARKET
Meritor Production	4524B	MA210	SMA210 4524Q	KSMA210 4524Q	KIT 8000	A3222-E-1383	
	4524B	MA212	SMA212 4524Q	KSMA212 4524Q	KIT 8000	A3222-E-1383	
	4524B	MA310	SMA310 4524Q	KSMA310 4524Q	KIT 8000	A3222-E-1383	
	4524B	MA312	SMA312 4524Q	KSMA312 4524Q	KIT 8000	A3222-E-1383	
	4524B	R301	SR301 4524Q	KSR301 4524Q	KIT 8000	A3222-E-1383	
	4524B	R403	SR403 4524Q	KSR403 4524Q	KIT 8000	A3222-E-1383	

16-1/2" x 5" Meritor Q for 1.68" Offset Spider



LINING TYPE	FMSI NO.	MERITOR FRICTION MIX	NEW LINED BRAKE SHOE NUMBER	NEW LINED BRAKE SHOE KIT NUMBER	MINOR HARDWARE KIT NUMBER	NEW SHOE NUMBER	
						MERITOR PRODUCTION	MERITOR AFTER-MARKET
Meritor Production	4524B	R301	SR301 4524QA	KSR301 4524QA	KIT 8028A	A3222-G-1541	

MERITOR

an **ArvinMeritor** brand

NEW LINED BRAKE SHOES & BRAKE SHOE KITS

16-1/2" x 5" Meritor Q with Relocated Return Spring Hole

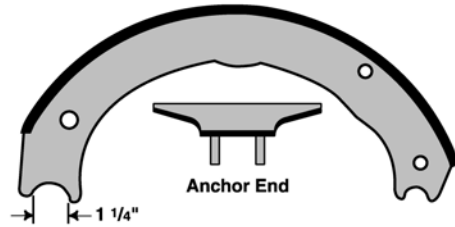
LINING TYPE	FMSI NO.	MERITOR FRICTION MIX	NEW LINED BRAKE SHOE NUMBER	NEW LINED BRAKE SHOE KIT NUMBER	MINOR HARDWARE KIT NUMBER	NEW SHOE NUMBER	
						MERITOR PRODUCTION	MERITOR AFTER-MARKET
Fras-Le Aftermarket	4524B	AF550-1	SF550 4524QR	KSF550 4524QR	R508053	A3222-J-1440	
	4524B	AF555-1	SF555 4524QR	KSF555 4524QR	R508053	A3222-J-1440	
	4524B	AF557	SF557 4524QR	KSF557 4524QR	R508053	A3222-J-1440	
	4524B	AF560/555-1	SFCOM 4524QR	KSFCOM 4524QR	R508053	A3222-J-1440	
Meritor Production	4524B	MA210	SMA210 4524QR	KSMA210 4524QR	KIT 8081	A3222-J-1440	
	4524B	MA212	SMA212 4524QR	KSMA212 4524QR	KIT 8081	A3222-J-1440	
	4524B	MA310	SMA310 4524QR	KSMA310 4524QR	KIT 8081	A3222-J-1440	
	4524B	MA312	SMA312 4524QR	KSMA312 4524QR	KIT 8081	A3222-J-1440	
	4524B	R301	SR301 4524QR	KSR301 4524QR	KIT 8081	A3222-J-1440	
	4524B	R403	SR403 4524QR	KSR403 4524QR	KIT 8081	A3222-J-1440	

16-1/2" x 5" Meritor Q Plus

LINING TYPE	FMSI NO.	MERITOR FRICTION MIX	NEW LINED BRAKE SHOE NUMBER	NEW LINED BRAKE SHOE KIT NUMBER	MINOR HARDWARE KIT NUMBER	NEW SHOE NUMBER	
						MERITOR PRODUCTION	MERITOR AFTER-MARKET
Fras-Le Aftermarket	4720	AF523	SF523 4720QP	KSF523 4702QP	R508053	A3222-Z-2288	
Meritor Production	4720	MA210	SMA210 4720QP	KSMA210 4720QP	KIT 8081	A3222-Z-2288	
	4720	MA212	SMA212 4720QP	KSMA212 4720QP	KIT 8081	A3222-Z-2288	
	4720	MA310	SMA310 4720QP	KSMA310 4720QP	KIT 8081	A3222-Z-2288	
	4720	MA312	SMA312 4720QP	KSMA312 4720QP	KIT 8081	A3222-Z-2288	
	4720	R301	SR301 4720QP	KSR301 4720QP	KIT 8081	A3222-Z-2288	
	4720	R403	SR403 4720QP	KSR403 4720QP	KIT 8081	A3222-Z-2288	

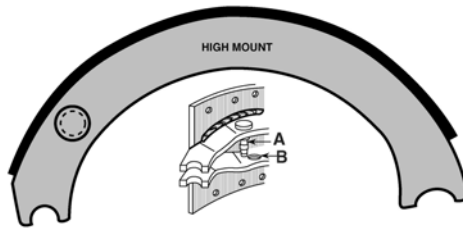
NEW LINED BRAKE SHOES & BRAKE SHOE KITS

16-1/2" x 6" Eaton ES



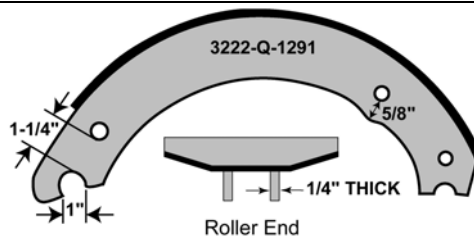
LINING TYPE	FMSI NO.	MERITOR FRICTION MIX	NEW LINED BRAKE SHOE NUMBER	NEW LINED BRAKE SHOE KIT NUMBER	MINOR HARDWARE KIT NUMBER	NEW SHOE NUMBER	
						MERITOR PRODUCTION	MERITOR AFTER-MARKET
Fras-Le Aftermarket	4725	AF523	SF523 4725ES	KSF523 4725R ⁵ KSF523 4725E ⁴	MKT 4709ES2-N R507094		R700025
Meritor Production	4725	MA212	SMA212 4725E	KSMA212 4725R ⁵ KSMA212 4725E ⁴	MKT 4709ES2-N R507094		R700025
	4725	MA312	SMA312 4725ES	KSMA312 4725R ⁵ KSMA312 4725E ⁴	MKT 4709ES2-N R507094		R700025

16-1/2" x 6" Eaton High Mount



LINING TYPE	FMSI NO.	MERITOR FRICTION MIX	NEW LINED BRAKE SHOE NUMBER	NEW LINED BRAKE SHOE KIT NUMBER	MINOR HARDWARE KIT NUMBER	NEW SHOE NUMBER	
						MERITOR PRODUCTION	MERITOR AFTER-MARKET
Fras-Le Aftermarket	4317G	AF523	SF523 4317EH	KSF523 4317EH	R507077		R700023

16-1/2" x 6" Meritor Q



LINING TYPE	FMSI NO.	MERITOR FRICTION MIX	NEW LINED BRAKE SHOE NUMBER	NEW LINED BRAKE SHOE KIT NUMBER	MINOR HARDWARE KIT NUMBER	NEW SHOE NUMBER	
						MERITOR PRODUCTION	MERITOR AFTER-MARKET
Fras-Le Aftermarket	4514G	AF523	SF523 4514Q	KSF523 4514Q	MKT 4515Q-N	A3222-C-1381	
	4514G	AF555-1	SF555 4514Q	KSF555 4514Q	MKT 4515Q-N	A3222-C-1381	
	4514G	AF557	SF557 4514Q	KSF557 4514Q	MKT 4515Q-N	A3222-C-1381	
	4514G	AF560/555-1	SFCOM 4514Q	KSFCOM 4514Q	MKT 4515Q-N	A3222-C-1381	
Meritor Production	4514G	MA212	SMA212 4514Q	KSMA212 4514Q	KIT 8000	A3222-C-1381	
	4514G	MA310	SMA310 4514Q	KSMA310 4514Q	KIT 8000	A3222-C-1381	
	4514G	MA312	SMA312 4514Q	KSMA312 4514Q	KIT 8000	A3222-C-1381	
	4514G	R301	SR301 4514Q	KSR301 4514Q	KIT 8000	A3222-C-1381	
	4514G	R403	SR403 4514Q	KSR403 4514Q	KIT 8000	A3222-C-1381	

NEW LINED BRAKE SHOES & BRAKE SHOE KITS

16-1/2" x 6" Meritor Q with Relocated Return Spring Hole

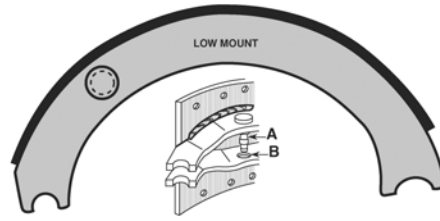
LINING TYPE	FMSI NO.	MERITOR FRICTION MIX	NEW LINED BRAKE SHOE NUMBER	NEW LINED BRAKE SHOE KIT NUMBER	MINOR HARDWARE KIT NUMBER	NEW SHOE NUMBER	
						MERITOR PRODUCTION	MERITOR AFTER-MARKET
Fras-Le Aftermarket	4514G	AF550-1	SF550 4514QM	KSF550 4514QM	R508053	A3222-V-1348	
	4514G	AF555-1	SF555 4514QM	KSF555 4514QM	R508053	A3222-V-1348	
	4514G	AF557	SF557 4514QM	KSF557 4514QM	R508053	A3222-V-1348	
Meritor Production	4514G	MA212	SMA212 4514QR	KSMA212 4514QR	KIT 8080	A3222-V-1348	
	4514G	MA310	SMA310 4514QR	KSMA310 4514QR	KIT 8080	A3222-V-1348	
	4514G	MA312	SMA312 4514QR	KSMA312 4514QR	KIT 8080	A3222-V-1348	
	4514G	R301	SR301 4514QR	KSR301 4514QR	KIT 8080	A3222-V-1348	
	4514G	R403	SR403 4514QR	KSR403 4514QR	KIT 8080	A3222-V-1348	

16-1/2" x 6" Meritor Q Plus

LINING TYPE	FMSI NO.	MERITOR FRICTION MIX	NEW LINED BRAKE SHOE NUMBER	NEW LINED BRAKE SHOE KIT NUMBER	MINOR HARDWARE KIT NUMBER	NEW SHOE NUMBER	
						MERITOR PRODUCTION	MERITOR AFTER-MARKET
Fras-Le Aftermarket	4715	AF523	SF523 4715QP	KSF523 4715QP	R508053	A3222-P-2200	
	4715	AF555-1	SF555 4715QP	KSF555 4715QP	R508053	A3222-P-2200	
	4715	AF557	SF557 4715QP	KSF557 4715QP	R508053	A3222-P-2200	
Meritor Production	4715	MA210	SMA210 4715QP	KSMA210 4715QP	KIT 8081	A3222-P-2200	
	4715	MA212	SMA212 4715QP	KSMA212 4715QP	KIT 8081	A3222-P-2200	
	4715	MA310	SMA310 4715QP	KSMA310 4715QP	KIT 8081	A3222-P-2200	
	4715	MA312	SMA312 4715QP	KSMA312 4715QP	KIT 8081	A3222-P-2200	
	4715	R301	SR301 4715QP	KSR301 4715QP	KIT 8081	A3222-P-2200	
4715	R403	SR403 4715QP	KSR403 4715QP	KIT 8081	A3222-P-2200		

NEW LINED BRAKE SHOES & BRAKE SHOE KITS

16-1/2" x 7" Eaton



LINING TYPE	FMSI NO.	MERITOR FRICTION MIX	NEW LINED BRAKE SHOE NUMBER	NEW LINED BRAKE SHOE KIT NUMBER	MINOR HARDWARE KIT NUMBER	NEW SHOE NUMBER	
						MERITOR PRODUCTION	MERITOR AFTER-MARKET
Fras-Le Aftermarket	4311J	AF520	SF520 4311JE	KSF520 4311JE	MKT 4311EHD-N		R4311
	4311J	AF523	SF523 4311JE	KSF523 4311JE	MKT 4311EHD-N		R4311
	4311J	AF540-1	SF540 4311JE	KSF540 4311JE	MKT 4311EHD-N		R4311
	4311J	AF550-1	SF550 4311JE	KSF550 4311JE	MKT 4311EHD-N		R4311
	4311J	AF555-1	SF555 4311JE	KSF555 4311JE	MKT 4311EHD-N		R4311
	4311J	AF557	SF557 4311JE	KSF557 4311JE	MKT 4311EHD-N		R4311
	4311J	AF560/555-1	SFCOM 4311JE	KSFCOM 4311JE	MKT 4311EHD-N		R4311
Meritor Production	4311J	MA210	SMA210 4311E	KSMA210 4311E	MKT 4311EHD-N		R4311
	4311J	MA212	SMA212 4311E	KSMA212 4311E	MKT 4311EHD-N		R4311
	4311J	MA212	SMA212 4311EBL ²	KSMA212 4311EBL	MKT 4311EHD-N		R4311
	4311J	MA310	SMA310 4311E	KSMA310 4311E	MKT 4311EHD-N		R4311
	4311J	MA312	SMA312 4311E	KSMA312 4311E	MKT 4311EHD-N		R4311
	4311J	MA312	SMA312 4311EBL ²	KSMA312 4311EBL	MKT 4311EHD-N		R4311
	4311J	R301	SR301 4311E	KSR301 4311E	MKT 4311EHD-N		R4311

XpresswayPlus.ArvinMeritor.com



XpresswayPlus.ArvinMeritor.com
For all of your parts-ordering needs

Don't forget about using *XpresswayPlus* for:

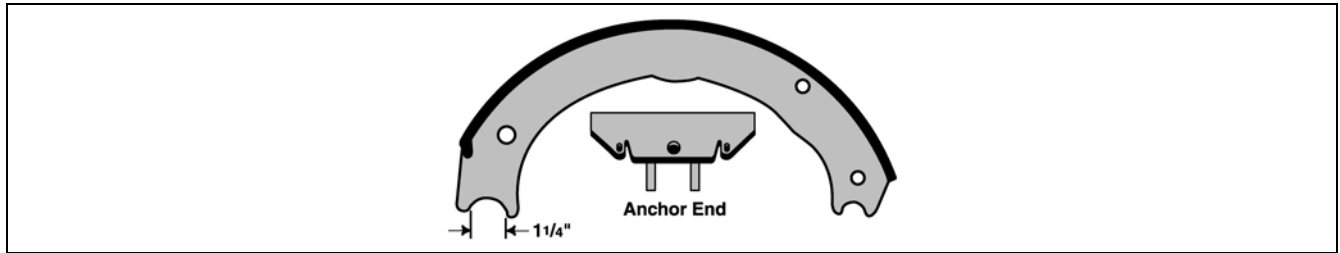
- Ordering parts online
- Order status
- Price and availability
- Invoice Lookup
- Parts Catalog
- Online e-mail or phone numbers for Customer Service, Information Services, Marketing, Catalog, and eSupport
- Reference Library
- The Company Store
- Literature
- Dealer/Distributor locator

XpresswayPlus is easy to use, can reduce phone calls, and save you valuable time.

² Contains B-Lock shoe coating.

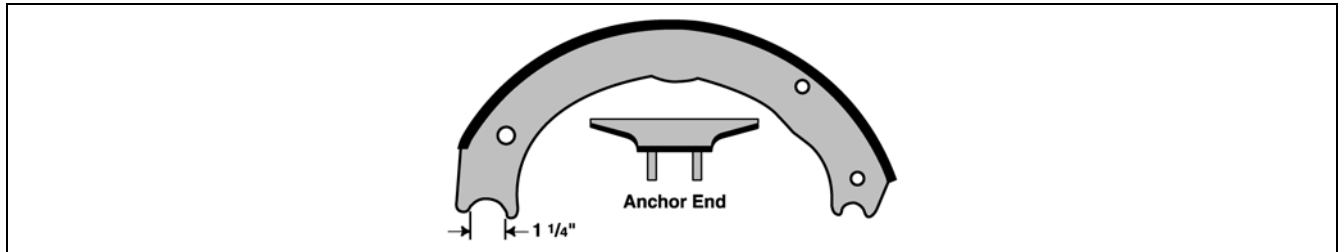
NEW LINED BRAKE SHOES & BRAKE SHOE KITS

16-1/2" x 7" Eaton ES I



LINING TYPE	FMSI NO.	MERITOR FRICTION MIX	NEW LINED BRAKE SHOE NUMBER	NEW LINED BRAKE SHOE KIT NUMBER	MINOR HARDWARE KIT NUMBER	NEW SHOE NUMBER	
						MERITOR PRODUCTION	MERITOR AFTER-MARKET
Fras-Le Aftermarket	4709	AF520	SF520 4709E1	KSF520 4709E1	MKT 4709ES-N		R4709
	4709	AF523	SF523 4709E1	KSF523 4709E1	MKT 4709ES-N		R4709
	4709	AF540-1	SF540 4709ES	KSF540 4709ES	MKT 4709ES-N		R4709
	4709	AF550-1	SF550 4709ES	KSF550 4709ES	MKT 4709ES-N		R4709
	4709	AF555-1	SF555 4709ES	KSF555 4709ES	MKT 4709ES-N		R4709
	4709	AF557	SF557 4709ES	KSF557 4709ES	MKT 4709ES-N		R4709
Meritor Production	4709	MA210	SMA210 4709E1	KSMA210 4709E1	MKT 4709ES-N		R4709
	4709	MA212	SMA212 4709E1	KSMA212 4709E1	MKT 4709ES-N		R4709
	4709	MA310	SMA310 4709E1	KSMA310 4709E1	MKT 4709ES-N		R4709
	4709	MA312	SMA312 4709E1	KSMA312 4709E1	MKT 4709ES-N		R4709
	4709	R301	SR301 4709E1	KSR301 4709E1	MKT 4709ES-N		R4709

16-1/2" x 7" Eaton ES II

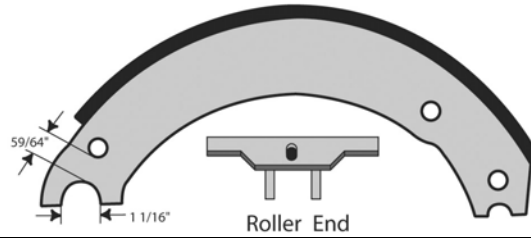


LINING TYPE	FMSI NO.	MERITOR FRICTION MIX	NEW LINED BRAKE SHOE NUMBER	NEW LINED BRAKE SHOE KIT NUMBER	MINOR HARDWARE KIT NUMBER	NEW SHOE NUMBER	
						MERITOR PRODUCTION	MERITOR AFTER-MARKET
Fras-Le Aftermarket	4709	AF520	SF520 4709E2	KSF520 4709E2	MKT 4709ES2-N		R4709G2
	4709	AF523	SF523 4709E2	KSF523 4709E2	MKT 4709ES2-N		R4709G2
	4709	AF550-1	SF550 4709ES2	KSF550 4709ES2	MKT 4709ES2-N		R4709G2
	4709	AF555-1	SF555 4709ES2	KSF555 4709ES2	MKT 4709ES2-N		R4709G2
	4709	AF557	SF557 4709ES2	KSF557 4709ES2	MKT 4709ES2-N		R4709G2
Meritor Production	4709	MA210	SMA210 4709E2	KSMA210 4709E2	MKT 4709ES2-N		R4709G2
	4709	MA212	SMA212 4709E2	KSMA212 4709E2	MKT 4709ES2-N		R4709G2
	4709	MA212	SMA212 4709E2BL ²	KSMA212 4709E2BL	MKT 4709ES2-N		R4709G2
	4709	MA310	SMA310 4709E2	KSMA310 4709E2	MKT 4709ES2-N		R4709G2
	4709	MA312	SMA312 4709E2	KSMA312 4709E2	MKT 4709ES2-N		R4709G2
	4709	MA312	SMA312 4709E2BL ²	KSMA312 4709E2BL	MKT 4709ES2-N		R4709G2
	4709	R301	SR301 4709E2	KSR301 4709E2	MKT 4709ES2-N		R4709G2

² Contains B-Lock shoe coating.

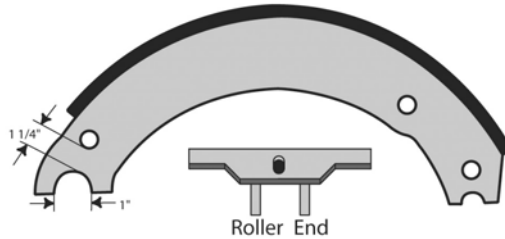
NEW LINED BRAKE SHOES & BRAKE SHOE KITS

16-1/2" x 7" Eaton for Fruehauf



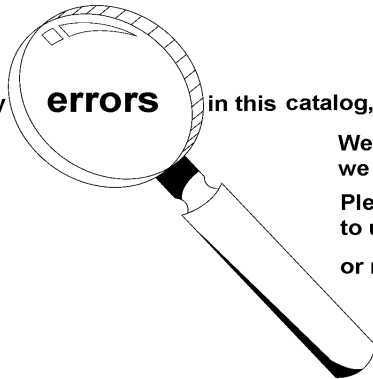
LINING TYPE	FMSI NO.	MERITOR FRICTION MIX	NEW LINED BRAKE SHOE NUMBER	NEW LINED BRAKE SHOE KIT NUMBER	MINOR HARDWARE KIT NUMBER	NEW SHOE NUMBER	
						MERITOR PRODUCTION	MERITOR AFTER-MARKET
Fras-Le Aftermarket	4708	AF557	SF557 4708EF	KSF557 4708EF	R507061		R4708F

16-1/2" x 7" Eaton for Meritor



LINING TYPE	FMSI NO.	MERITOR FRICTION MIX	NEW LINED BRAKE SHOE NUMBER	NEW LINED BRAKE SHOE KIT NUMBER	MINOR HARDWARE KIT NUMBER	NEW SHOE NUMBER	
						MERITOR PRODUCTION	MERITOR AFTER-MARKET
Fras-Le Aftermarket	4708	AF550-1	SF550 4708ER	KSF550 4708ER	R507062		R4708R
	4708	AF555-1	SF555 4708ER	KSF555 4708ER	R507062		R4708R
	4708	AF557	SF557 4708ER	KSF557 4708ER	R507062		R4708R

If you detect any **errors** in this catalog, please let us know.



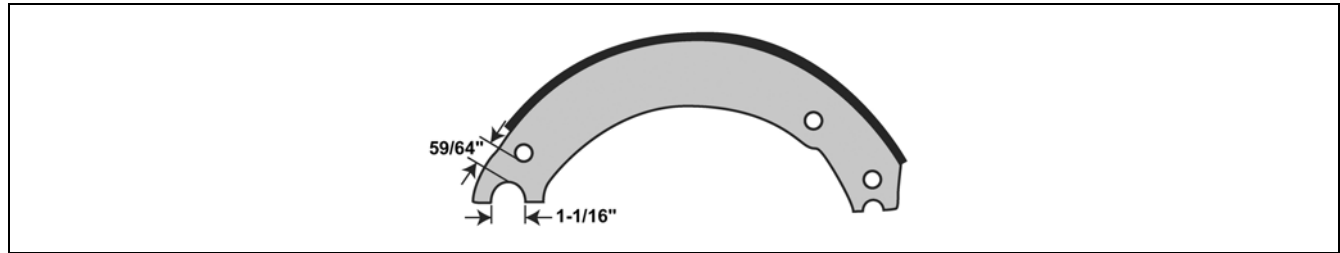
We want the information to be as accurate as possible; we appreciate your help in making it so.

Please e-mail any comments/suggestions/corrections to us at: catalogfeedback@arvinmeritor.com

or mail to: ArvinMeritor
attn: Catalog Dept.
7975 Dixie Highway
Florence, KY 41042

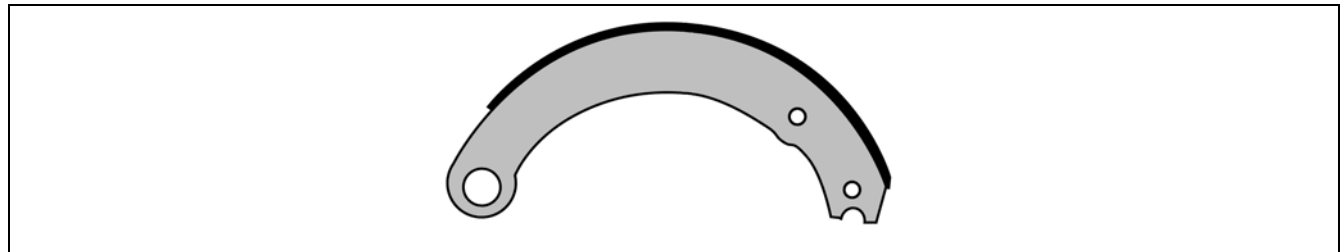
NEW LINED BRAKE SHOES & BRAKE SHOE KITS

16-1/2" x 7" Fruehauf XEM3



LINING TYPE	FMSI NO.	MERITOR FRICTION MIX	NEW LINED BRAKE SHOE NUMBER	NEW LINED BRAKE SHOE KIT NUMBER	MINOR HARDWARE KIT NUMBER	NEW SHOE NUMBER	
						MERITOR PRODUCTION	MERITOR AFTER-MARKET
Fras-Le Aftermarket	4515E	AF520	SF520 4515F3	KSF520 4515F3	MKT 4515X		R4515F3
	4515E	AF540-1	SF540 4515F3	KSF540 4515F3	MKT 4515X		R4515F3
	4515E	AF550-1	SF550 4515F3	KSF550 4515F3	MKT 4515X		R4515F3
	4515E	AF555-1	SF555 4515F3	KSF555 4515F3	MKT 4515X		R4515F3
	4515E	AF557	SF557 4515F3	KSF557 4515F3	MKT 4515X		R4515F3
	4515E	AF560/555-1	SFCOM 4515F3	KSFCOM 4515F3	MKT 4515X		R4515F3
Meritor Production	4515E	MA210	SMA210 4515F3	KSMA210 4515F3	MKT 4515X		R4515F3
	4515E	MA212	SMA212 4515F3	KSMA212 4515F3	MKT 4515X		R4515F3
	4515E	MA212	SMA212 4515F3BL ²	KSMA212 4515F3BL	MKT 4515X		R4515F3
	4515E	MA310	SMA310 4515F3	KSMA310 4515F3	MKT 4515X		R4515F3
	4515E	MA312	SMA312 4515F3	KSMA312 4515F3	MKT 4515X		R4515F3
	4515E	MA312	SMA312 4515F3BL ²	KSMA312 4515F3BL	MKT 4515X		R4515F3
	4515E	R301	SR301 4515F3	KSR301 4515F3	MKT 4515X		R4515F3

16-1/2" x 7" Meritor P

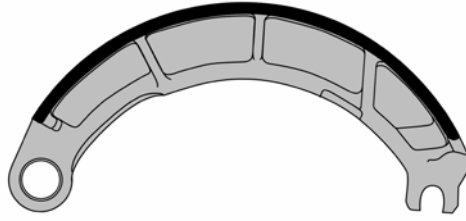


LINING TYPE	FMSI NO.	MERITOR FRICTION MIX	NEW LINED BRAKE SHOE NUMBER	NEW LINED BRAKE SHOE KIT NUMBER	MINOR HARDWARE KIT NUMBER	NEW SHOE NUMBER	
						MERITOR PRODUCTION	MERITOR AFTER-MARKET
Fras-Le Aftermarket	4515E	AF520	SF520 4515P	KSF520 4515Q	MKT 4515P		R4515P
	4515E	AF540-1	SF540 4515P	KSF540 4515P	MKT 4515P		R4515P
	4515E	AF550-1	SF550 4515P	KSF550 4515P	MKT 4515P		R4515P
	4515E	AF555-1	SF555 4515P	KSF555 4515P	MKT 4515P		R4515P
	4515E	AF557	SF557 4515P	KSF557 4515P	MKT 4515P		R4515P
	4515E	AF560/555-1	SFCOM 4515P	KSFCOM 4515P	MKT 4515P		R4515P
Meritor Production	4515G	MA210	SMA210 4515P	KSMA210 4515P	KIT 9000	A3722-N-66	
	4515G	MA212	SMA212 4515P	KSMA212 4515P	KIT 9000	A3722-N-66	
	4515G	MA310	SMA310 4515P	KSMA310 4515P	KIT 9000	A3722-N-66	
	4515G	MA312	SMA312 4515P	KSMA312 4515P	KIT 9000	A3722-N-66	
	4515G	R301	SR301 4515P	KSR301 4515P	KIT 9000	A3722-N-66	
	4515G	R403	SR403 4515P	KSR403 4515P	KIT 9000	A3722-N-66	
Meritor Production - Price Point Shoes & Hardware	4515G	MA210	PSMA210 4515P	PKSMA210 4515P	MKT 4515P		R4515P
	4515G	MA212	PSMA212 4515P	PKSMA212 4515P	MKT 4515P		R4515P
	4515G	MA310	PSMA310 4515P	PKSMA310 4515P	MKT 4515P		R4515P
	4515G	MA312	PSMA312 4515P	PKSMA312 4515P	MKT 4515P		R4515P
	4515G	R301	PSR301 4515P	PKSR301 4515P	MKT 4515P		R4515P

² Contains B-Lock shoe coating.

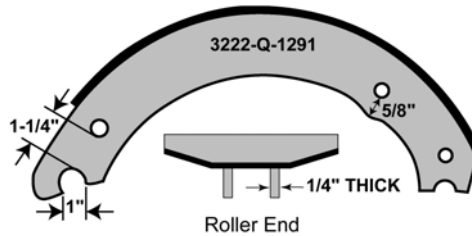
NEW LINED BRAKE SHOES & BRAKE SHOE KITS

16-1/2" x 7" Meritor P Cast



LINING TYPE	FMSI NO.	MERITOR FRICTION MIX	NEW LINED BRAKE SHOE NUMBER	NEW LINED BRAKE SHOE KIT NUMBER	MINOR HARDWARE KIT NUMBER	NEW SHOE NUMBER	
						MERITOR PRODUCTION	MERITOR AFTER-MARKET
Meritor Production	4515	R301	SR301 4515PC	KSR301 4515PC	KIT 9081	A3222-D-1954	
	4515	R403	SR403 4515PC	KSR403 4515PC	KIT 9081	A3222-D-1954	

16-1/2" x 7" Meritor Q

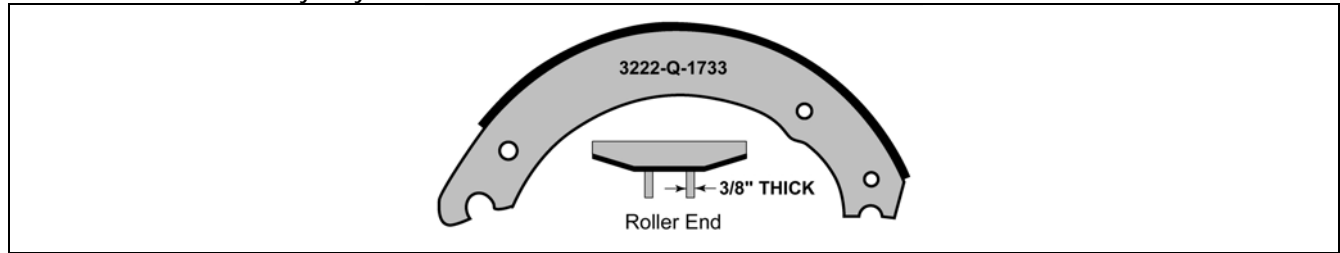


LINING TYPE	FMSI NO.	MERITOR FRICTION MIX	NEW LINED BRAKE SHOE NUMBER	NEW LINED BRAKE SHOE KIT NUMBER	MINOR HARDWARE KIT NUMBER	NEW SHOE NUMBER	
						MERITOR PRODUCTION	MERITOR AFTER-MARKET
Fras-Le Aftermarket	4515E	AF520	SF520 4515Q	KSF520 4515Q	MKT 4515Q-N		R4515
	4515E	AF523	SF523 4515Q	KSF523 4515Q	MKT 4515Q-N		R4515
	4515E	AF540-1	SF540 4515Q	KSF540 4515Q	MKT 4515Q-N		R4515
	4515E	AF550-1	SF550 4515Q	KSF550 4515Q	MKT 4515Q-N		R4515
	4515E	AF555-1	SF555 4515Q	KSF555 4515Q	MKT 4515Q-N		R4515
	4515E	AF557	SF557 4515Q	KSF557 4515Q	MKT 4515Q-N		R4515
	4515E	AF560/555-1	SFCOM 4515Q	KSFCOM 4515Q	MKT 4515Q-N		R4515
	4515E	AF587	SF587 4515Q	KSF587 4515Q	MKT 4515Q-N		R4515
Meritor Production	4515G	MA210	SMA210 4515Q	KSMA210 4515Q	KIT 8000	A91-3222-S-1293	
	4515G	MA212	SMA212 4515Q	KSMA212 4515Q	KIT 8000	A91-3222-S-1293	
	4515G	MA212	SMA212 4515QBL ²	KSMA212 4515QBL	KIT 8000	A91-3222-S-1293	
	4515G	MA310	SMA310 4515Q	KSMA310 4515Q	KIT 8000	A91-3222-S-1293	
	4515G	MA312	SMA312 4515Q	KSMA312 4515Q	KIT 8000	A91-3222-S-1293	
	4515G	R301	SR301 4515Q	KSR301 4515Q	KIT 8000	A91-3222-S-1293	
	4515G	R403	SR403 4515Q	KSR403 4515Q	KIT 8000	A91-3222-S-1293	
Meritor Production - Price Point Shoes & Hardware	4515G	MA210	PSMA210 4515Q	PKSMA210 4515Q	MKT 4515Q-N		R4515
	4515G	MA212	PSMA212 4515Q	PKSMA212 4515Q	MKT 4515Q-N		R4515
				PKSMA212 4515QHD	MKT 4515QHD-N		
	4515G	MA212	PSMA212 4515QBL ²	PKSMA212 4515QBL	MKT 4515Q-N		R4515
	4515G	MA310	PSMA310 4515Q	PKSMA310 4515Q	MKT 4515Q-N		R4515
	4515G	MA312	PSMA312 4515QBL ²	PKSMA312 4515QBL	MKT 4515Q-N		R4515
	4515G	MA312	PSMA312 4515Q	PKSMA312 4515Q	MKT 4515Q-N		R4515
4515G	R301	PSR301 4515Q	PKSR301 4515Q	MKT 4515Q-N		R4515	

² Contains B-Lock shoe coating.

NEW LINED BRAKE SHOES & BRAKE SHOE KITS

16-1/2" x 7" Meritor Q Heavy Duty



LINING TYPE	FMSI NO.	MERITOR FRICTION MIX	NEW LINED BRAKE SHOE NUMBER	NEW LINED BRAKE SHOE KIT NUMBER	MINOR HARDWARE KIT NUMBER	NEW SHOE NUMBER	
						MERITOR PRODUCTION	MERITOR AFTER-MARKET
Fras-Le Aftermarket	4515H	AF557	SF557 4515QM	KSF557 4515QM	KIT 8026HD	A3222-S-1735	
Meritor Production	4515H	R403	SR403 4515QM	KSR403 4515QM	KIT 8026HD	A3222-S-1735	

MERITOR

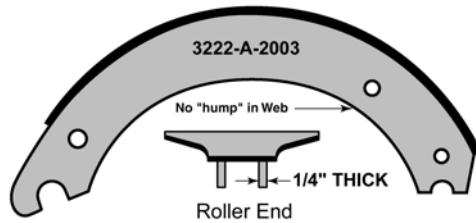
an **ArvinMeritor** brand

For additional: Parts Information
Cross Reference
Production Bills of Material

visit our online catalog at: XpresswayPlus.ArvinMeritor.com

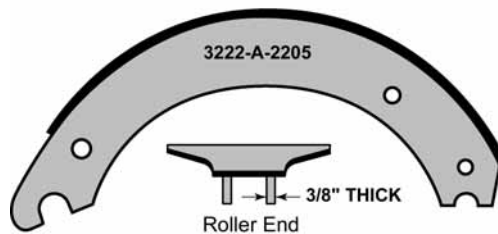
NEW LINED BRAKE SHOES & BRAKE SHOE KITS

16-1/2" x 7" Meritor Q Plus



LINING TYPE	FMSI NO.	MERITOR FRICTION MIX	NEW LINED BRAKE SHOE NUMBER	NEW LINED BRAKE SHOE KIT NUMBER	MINOR HARDWARE KIT NUMBER	NEW SHOE NUMBER	
						MERITOR PRODUCTION	MERITOR AFTER-MARKET
Fras-Le Aftermarket	4707	AF520	SF520 4707QP	KSF520 4707QP	MKT 4515QHD-N		R4707
	4707	AF523	SF523 4707QP	KSF523 4707QP	MKT 4515QHD-N		R4707
	4707	AF540-1	SF540 4707QP	KSF540 4707QP	MKT 4515QHD-N		R4707
	4707	AF550-1	SF550 4707QP	KSF550 4707QP	MKT 4515QHD-N		R4707
	4707	AF555-1	SF555 4707QP	KSF555 4707QP	MKT 4515QHD-N		R4707
	4707	AF557	SF557 4707QP	KSF557 4707QP	MKT 4515QHD-N		R4707
	4707	AF560/555-1	SFCOM 4707QP	KSFCOM 4707QP	MKT 4515QHD-N		R4707
Meritor Production	4707	MA210	SMA210 4707QP	KSMA210 4707QP	KIT 8000HD	A19-3222-D-2006	
	4707	MA212	SMA212 4707QP	KSMA212 4707QP	KIT 8000HD	A19-3222-D-2006	
	4707	MA212	SMA212 4707QPBL ²	KSMA212 4707QPBL	KIT 8000HD	A19-3222-D-2006	
	4707	MA310	SMA310 4707QP	KSMA310 4707QP	KIT 8000HD	A19-3222-D-2006	
	4707	MA312	SMA312 4707QP	KSMA312 4707QP	KIT 8000HD	A19-3222-D-2006	
	4707	MA312	SMA312 4707QPBL ²	KSMA312 4707QPBL	KIT 8000HD	A19-3222-D-2006	
	4707	R301	SR301 4707QP	KSR301 4707QP	KIT 8000HD	A19-3222-D-2006	
	4707	R403	SR403 4707QP	KSR403 4707QP	KIT 8000HD	A19-3222-D-2006	
Meritor Production - Price Point Shoes & Hardware	4707	MA210	PSMA210 4707QP	PKSMA210 4707QP	MKT 4515QHD-N		R4707
	4707	MA212	PSMA212 4707QP	PKSMA212 4707QP	MKT 4515QHD-N		R4707
	4707	MA212	PSMA212 4707QPBL ²	PKSMA212 4707QPBL	MKT 4515QHD-N		R4707
	4707	MA310	PSMA310 4707QP	PKSMA310 4707QP	MKT 4515QHD-N		R4707
	4707	MA312	PSMA312 4707QP	PKSMA312 4707QP	MKT 4515QHD-N		R4707
4707	R301	PSR301 4707QP	PKSR301 4707QP	MKT 4515QHD-N		R4707	

16-1/2" x 7" Meritor Q Plus Heavy Duty

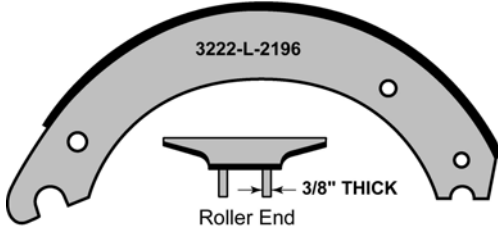


LINING TYPE	FMSI NO.	MERITOR FRICTION MIX	NEW LINED BRAKE SHOE NUMBER	NEW LINED BRAKE SHOE KIT NUMBER	MINOR HARDWARE KIT NUMBER	NEW SHOE NUMBER	
						MERITOR PRODUCTION	MERITOR AFTER-MARKET
Meritor Production	4707	MA310	SMA310 4707QPM	KSMA310 4707QPM	KIT 8844HD	A3222-X-2208	
	4707	R301	SR301 4707QPM	KSR301 4707QPM	KIT 8844HD	A3222-X-2208	
	4707	R403	SR403 4707QPM	KSR403 4707QPM	KIT 8844HD	A3222-X-2208	

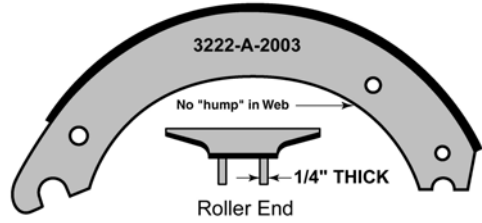
² Contains B-Lock shoe coating.

NEW LINED BRAKE SHOES & BRAKE SHOE KITS

16-1/2" x 7" Meritor Q Plus Heavy Duty - High Mount Spring Hole

							
LINING TYPE	FMSI NO.	MERITOR FRICTION MIX	NEW LINED BRAKE SHOE NUMBER	NEW LINED BRAKE SHOE KIT NUMBER	MINOR HARDWARE KIT NUMBER	NEW SHOE NUMBER	
						MERITOR PRODUCTION	MERITOR AFTER-MARKET
Meritor Production	4707	R301	SR301 4707QPR	KSR301 4707QPR	KIT 8059	A3222-F-2320	
	4707	R403	SR403 4707QPR	KSR403 4707QPR	KIT 8059	A3222-F-2320	

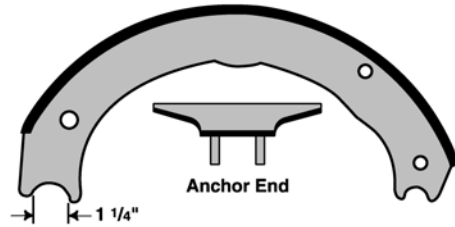
16-1/2" x 8" Meritor Q Plus

							
LINING TYPE	FMSI NO.	MERITOR FRICTION MIX	NEW LINED BRAKE SHOE NUMBER	NEW LINED BRAKE SHOE KIT NUMBER	MINOR HARDWARE KIT NUMBER	NEW SHOE NUMBER	
						MERITOR PRODUCTION	MERITOR AFTER-MARKET
Fras-Le Aftermarket	4718	AF523	SF523 4718QP	KSF523 4718QP	MKT 4515QHD-N	A3222-J-2272	
	4718	AF557	SF557 4718QP	KSF557 4718QP	MKT 4515QHD-N	A3222-J-2272	
Meritor Production	4718	MA210	SMA210 4718QP	KSMA210 4718QP	KIT 8000HD	A3222-J-2272	
	4718	MA212	SMA212 4718QP	KSMA212 4718QP	KIT 8000HD	A3222-J-2272	
	4718	MA310	SMA310 4718QP	KSMA310 4718QP	KIT 8000HD	A3222-J-2272	
	4718	MA312	SMA312 4718QP	KSMA312 4718QP KSMA312 4718QPC ⁶	KIT 8000HD KIT 8000HD, KIT 8042SB	A3222-J-2272	
	4718	R301	SR301 4718QP	KSR301 4718QP	KIT 8000HD	A3222-J-2272	

⁶ Severe service conversion kit with bronze cam bushings.

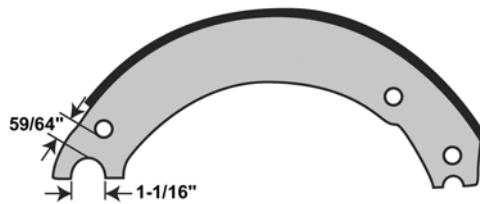
NEW LINED BRAKE SHOES & BRAKE SHOE KITS

16-1/2" x 8-5/8" Eaton ES



LINING TYPE	FMSI NO.	MERITOR FRICTION MIX	NEW LINED BRAKE SHOE NUMBER	NEW LINED BRAKE SHOE KIT NUMBER	MINOR HARDWARE KIT NUMBER	NEW SHOE NUMBER	
						MERITOR PRODUCTION	MERITOR AFTER-MARKET
Fras-Le Aftermarket	4726	AF523	SF523 4726ES	KSF523 4726R	MKT 4709ES2-N		R700026
Meritor Production	4726	MA312	SMA312 4726ES	KSMA312 4726R	MKT 4709ES2-N		R700026

16-1/2" x 8-5/8" Fruehauf XEM LH



LINING TYPE	FMSI NO.	MERITOR FRICTION MIX	NEW LINED BRAKE SHOE NUMBER	NEW LINED BRAKE SHOE KIT NUMBER	MINOR HARDWARE KIT NUMBER	NEW SHOE NUMBER	
						MERITOR PRODUCTION	MERITOR AFTER-MARKET
Fras-Le Aftermarket	4551E	AF557	SF557 4551FL		MKT 4515 XHD		R704552

XpresswayPlus.ArvinMeritor.com



XpresswayPlus.ArvinMeritor.com
For all of your parts-ordering needs

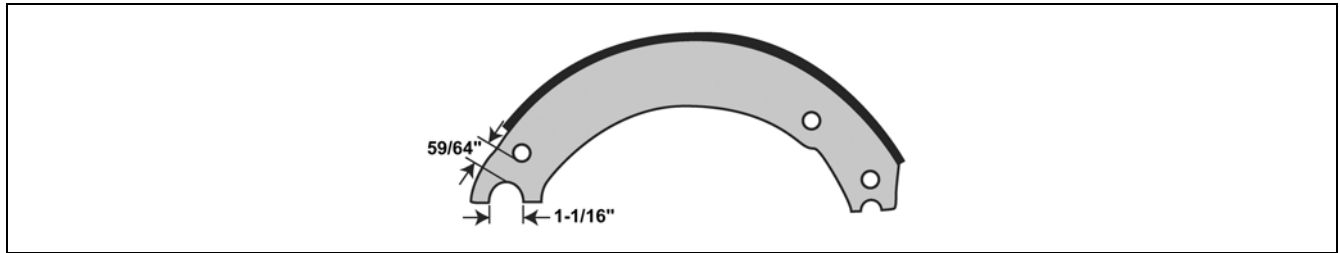
Don't forget about using *XpresswayPlus* for:

- Ordering parts online
- Order status
- Price and availability
- Invoice Lookup
- Parts Catalog
- Online e-mail or phone numbers for Customer Service, Information Services, Marketing, Catalog, and eSupport
- Reference Library
- The Company Store
- Literature
- Dealer/Distributor locator

XpresswayPlus is easy to use, can reduce phone calls, and save you valuable time.

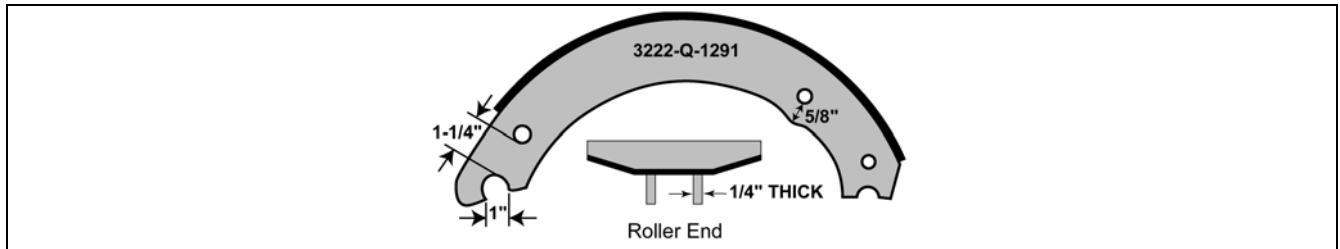
NEW LINED BRAKE SHOES & BRAKE SHOE KITS

16-1/2" x 8-5/8" Fruehauf XEM RH



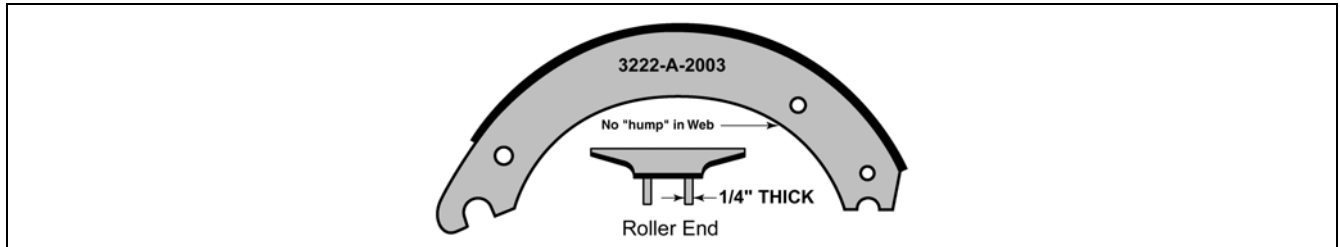
LINING TYPE	FMSI NO.	MERITOR FRICTION MIX	NEW LINED BRAKE SHOE NUMBER	NEW LINED BRAKE SHOE KIT NUMBER	MINOR HARDWARE KIT NUMBER	NEW SHOE NUMBER	
						MERITOR PRODUCTION	MERITOR AFTER-MARKET
Fras-Le Aftermarket	4551E	AF557	SF557 4551FR		MKT 4515 XHD		R704551

16-1/2" x 8-5/8" Meritor Q



LINING TYPE	FMSI NO.	MERITOR FRICTION MIX	NEW LINED BRAKE SHOE NUMBER	NEW LINED BRAKE SHOE KIT NUMBER	MINOR HARDWARE KIT NUMBER	NEW SHOE NUMBER	
						MERITOR PRODUCTION	MERITOR AFTER-MARKET
Fras-Le Aftermarket	4551E	AF557	SF557 4551Q	KSF557 4551Q	MKT 4515QHD-N	A3222-T-1346	
Meritor Production	4551B	MA210	SMA210 4551Q	KSMA210 4551Q	KIT 8000HD	A3222-T-1346	
	4551B	MA212	SMA212 4551Q	KSMA212 4551Q	KIT 8000HD	A3222-T-1346	
	4551B	R301	SR301 4551Q	KSR301 4551Q	KIT 8000HD	A3222-T-1346	

16-1/2" x 8-5/8" Meritor Q Plus



LINING TYPE	FMSI NO.	MERITOR FRICTION MIX	NEW LINED BRAKE SHOE NUMBER	NEW LINED BRAKE SHOE KIT NUMBER	MINOR HARDWARE KIT NUMBER	NEW SHOE NUMBER	
						MERITOR PRODUCTION	MERITOR AFTER-MARKET
Fras-Le Aftermarket	4711	AF523	SF523 4711QP	KSF523 4711QP	MKT 4515QHD-N	A3222-K-2169	R700028
Meritor Production	4711	MA210	SMA210 4711QP	KSMA210 4711QP	KIT 8000HD	A3222-K-2169	
	4711	MA212	SMA212 4711QP	KSMA212 4711QP	KIT 8000HD	A3222-K-2169	
	4711	MA312	SMA312 4711QP	KSMA312 4711QP	KIT 8000HD	A3222-K-2169	
	4711	R301	SR301 4711QP	KSR301 4711QP	KIT 8000HD	A3222-K-2169	
	4711	R403	SR403 4711QP	KSR403 4711QP	KIT 8000HD	A3222-K-2169	

MERITOR

an *ArvinMeritor* brand

REMANUFACTURED BRAKE SHOES AND BRAKE SHOE KITS

NEW PARTS ADDED:

XK210 4711QP	XK523 4709E1	XS555 4514QR
XK212 4719E	XK523 4709E2	XS555 4551Q
XK212 4719R	XK555 4514Q	XS555 4701STD
XK212 4725E	XK555 4514QR	XS555 4720QP
XK212 4725ER	XK555 4551Q	XS557 4718QP
XK312 4514QR	XK555 4720QP	XS560 4707QP
XK312 4701STD	XK557 4718QP	XSMA210 4711QP
XK312 4719E	XK560 4707QP	XSMA212 4719ES
XK312 4719R	XS520 4701STD	XSMA212 4725ES
XK312 4725E	XS523 4311E	XSMA312 4514QR
XK312 4725ER	XS523 4515F3	XSMA312 4701STD
XK403 4707QPR	XS523 4515Q	XSMA312 4719E
XK520 4515F3	XS523 4707QP	XSMA312 4725ES
XK523 4311E	XS523 4709E1	XSR403 4707QPR
XK523 4515Q	XS523 4709E2	
XK523 4707QP	XS555 4514Q	

Because you need a partner, not just a part.

“Brake-Through” Technology Solves The Industry’s Rust-Jacking Problem!



Meritor® Reman Brake Shoes With PlatinumShield™ Coating Extend The Life Of Your Brakes.

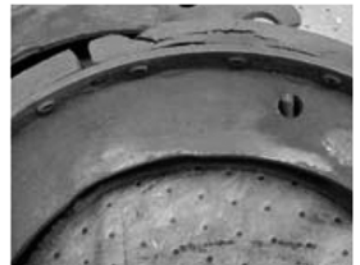
Rust-jacking, caused by corrosive anti-icing road chemicals, has cut short brake shoe life and added unnecessary costs. Now a scientific breakthrough by ArvinMeritor brake engineers has solved the problem once and for all. The result is PlatinumShield coating technology that resists rust-jacking and provides extended brake shoe life – and lasting value – for customers.



Meritor reman brake shoes with PlatinumShield coating deliver everything you expect from the worldwide brake leader. Including our 3-Year/300,000-Mile warranty against rust-jacking. So, unlike the competition, our 3-Year reman brake shoes with PlatinumShield coating actually last three full years.

What Is Rust-Jacking? Why Is It Such A Problem?

- “Rust-jacking” is a field condition caused by corrosive anti-icing highway chemicals – combined with thawing and freezing moisture that penetrates the brake shoe lining and causes rust to build up on the brake shoe table.
- As rust builds up, it pushes outward against the lining, “jacking” it up between the rivets, until the lining cracks.
- Once the lining cracks, it is unsafe and must be replaced – cutting short the brake shoe life and denying truck operators its full value – often with a thick amount of lining remaining.
- Rust-jacking is found most often where intense brake heat cannot dry out the shoe table. Typically, this occurs in front shoes.



ArvinMeritor Nine-Step Brake Shoe Remanufacturing Process.

Meritor reman brake shoes with PlatinumShield coating offer all the advantages of the proven ArvinMeritor nine-step brake shoe remanufacturing process. In our Plainfield, Indiana, facility each shoe is completely remanufactured – not rebuilt – and restored to the same high-quality performance standards as original Meritor production brake shoes.

Step 1 – Initial Inspection

Trained technicians thoroughly inspect the core for excessive wear.

Step 2 – Washing

Removes all grease and residue from the shoe's previous use.

Step 3 – De-Lining

Unique high-volume de-lining process.

Step 4 – Shot Blasting

Ensures a deep clean before moving to the next step.

Step 5 – Coining

Re-stamps the brake shoe table to true original shape.

Step 6 – PlatinumShield Coating

Provides lasting protection from powerful anti-icing highway chemicals, rust and corrosion.

Step 7 – Riveting and Re-Lining

Top-quality Meritor brake linings, engineered to meet stringent QS-9000 quality standards, are riveted securely to the shoe table to ensure quality performance.

Step 8 – Quality Inspection

Every Meritor remanufactured brake shoe receives a thorough inspection before being cleared for shipping.

Step 9 – Label Approval

Only Meritor reman brake shoes with PlatinumShield coating that pass our rigorous inspection process receive a Meritor brake shoe label.



Meritor Reman Brake Shoes With PlatinumShield Coating Are Fully Warranted!

- They're completely backed by a 3-Year/300,000-Mile warranty against rust-jacking.
- Unlike competitive brands, our PlatinumShield coating ensures that you receive the full life of your brake shoes.

Ready For Extended Brake Life?

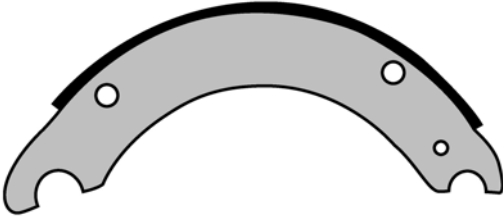
No other reman brake shoe delivers protection from rust-jacking for the full brake life like Meritor reman brake shoes with PlatinumShield coating.

Once again, the brake engineers at ArvinMeritor deliver breakthrough technology – and value – for you and your business!

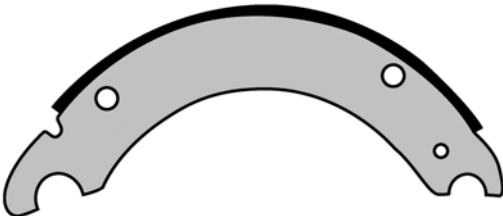
For all the latest PlatinumShield coating information, test data, product news, photos and FAQs, check out our special MeritorPlatinumShield.com microsite. Or call our customer service team direct at 888-725-9355.

REMANUFACTURED BRAKE SHOES & BRAKE SHOE KITS

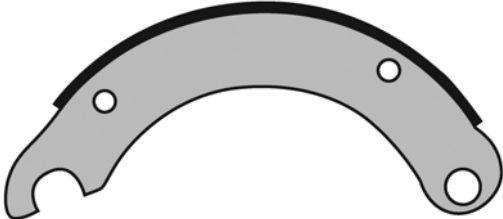
12-1/4" x 7-1/2" Dana Spicer Fast Change II

								
LINING TYPE	FMSI NO.	MERITOR FRICTION MIX	REMAN LINED BRAKE SHOE NUMBER	REMAN LINED BRAKE SHOE KIT NUMBER	MINOR HARDWARE KIT NUMBER	EXCHANGE SHOE CORE NO.	NEW SHOE NUMBER	
							MERITOR PRODUCTION	MERITOR AFTER-MARKET
Fras-Le Aftermarket	4692	AF557	XS557 4692FC2	XK557 4692FC2	R507092	C4692FC2		R700028
Meritor Production	4692	MA212	XSMA212 4692FC2		R507092 post 11/1/96 R507093 pre 11/1/96	C4692FC2		R700028

12-1/4" x 7-1/2" Dana Spicer U

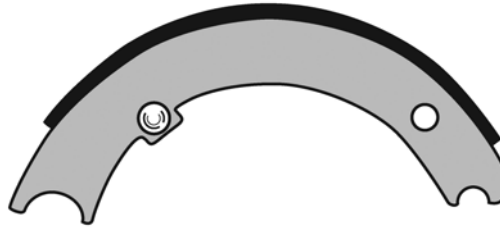
								
LINING TYPE	FMSI NO.	MERITOR FRICTION MIX	REMAN LINED BRAKE SHOE NUMBER	REMAN LINED BRAKE SHOE KIT NUMBER	MINOR HARDWARE KIT NUMBER	EXCHANGE SHOE CORE NO.	NEW SHOE NUMBER	
							MERITOR PRODUCTION	MERITOR AFTER-MARKET
Meritor Production	4692	MA212	XSMA212 4692U	XK212 4692U	R507076	C4692U		R700011

12-1/4" x 7-1/2" Dexter PQ

								
LINING TYPE	FMSI NO.	MERITOR FRICTION MIX	REMAN LINED BRAKE SHOE NUMBER	REMAN LINED BRAKE SHOE KIT NUMBER	MINOR HARDWARE KIT NUMBER	EXCHANGE SHOE CORE NO.	NEW SHOE NUMBER	
							MERITOR PRODUCTION	MERITOR AFTER-MARKET
Fras-Le Aftermarket	4591	AF557	XS557 4591D	XK557 4591D	R507095	C4591D		R700031
Meritor Production	4591	MA212	XSMA212 4591D	XK212 4591D	R507095	C4591D		R700031

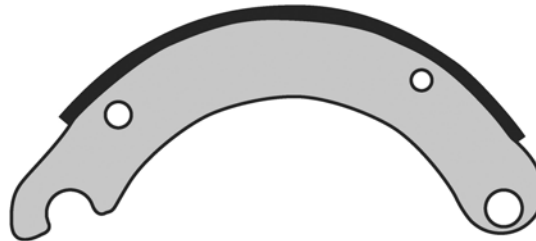
REMANUFACTURED BRAKE SHOES & BRAKE SHOE KITS

12-1/4" x 7-1/2" Eaton



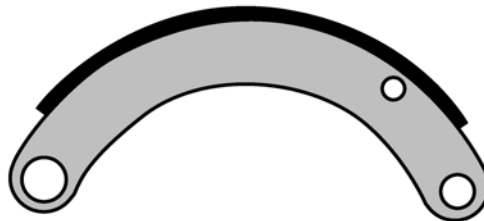
LINING TYPE	FMSI NO.	MERITOR FRICTION MIX	REMAN LINED BRAKE SHOE NUMBER	REMAN LINED BRAKE SHOE KIT NUMBER	MINOR HARDWARE KIT NUMBER	EXCHANGE SHOE CORE NO.	NEW SHOE NUMBER	
							MERITOR PRODUCTION	MERITOR AFTER-MARKET
Fras-Le Aftermarket	4591	AF557	XS557 4591E	XK557 4591E	R507000	C4591E		R700001
Meritor Production	4591	MA212	XSMA212 4591E	XK212 4591E	R507000	C4591E		R700001

12-1/4" x 7-1/2" Meritor Q



LINING TYPE	FMSI NO.	MERITOR FRICTION MIX	REMAN LINED BRAKE SHOE NUMBER	REMAN LINED BRAKE SHOE KIT NUMBER	MINOR HARDWARE KIT NUMBER	EXCHANGE SHOE CORE NO.	NEW SHOE NUMBER	
							MERITOR PRODUCTION	MERITOR AFTER-MARKET
Fras-Le Aftermarket	4670	AF550-1	XS550 4670Q	XK550 4670Q	KIT 8004	C4670	A3222-S-1527	
	4670	AF557	XS557 4670Q	XK557 4670Q	KIT 8004	C4670	A3222-S-1527	
Meritor Production	4670	MA212	XSMA212 4670Q	XK212 4670Q	KIT 8004	C4670	A3222-S-1527	
	4670	MA312	XSMA312 4670Q	XK312 4670Q	KIT 8004	C4670	A3222-S-1527	

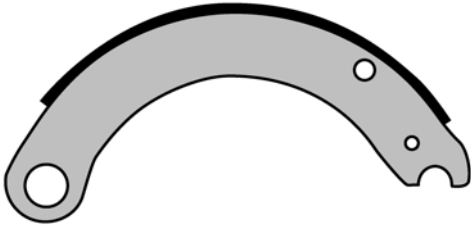
12-1/4" x 7-1/2" Standard Forge Closed Roller End



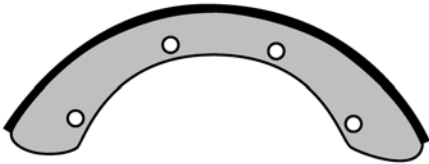
LINING TYPE	FMSI NO.	MERITOR FRICTION MIX	REMAN LINED BRAKE SHOE NUMBER	REMAN LINED BRAKE SHOE KIT NUMBER	MINOR HARDWARE KIT NUMBER	EXCHANGE SHOE CORE NO.	NEW SHOE NUMBER	
							MERITOR PRODUCTION	MERITOR AFTER-MARKET
Fras-Le Aftermarket	4591	AF557	XS557 4591S	XK557 4591S	R507015	C4591S		R704591
Meritor Production	4591	MA212	XSMA212 4591S	XK212 4591S	R507074	C4591S		R704591

REMANUFACTURED BRAKE SHOES & BRAKE SHOE KITS

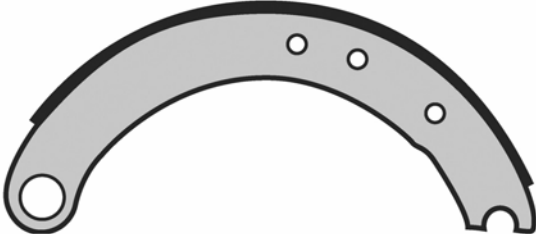
12-1/4" x 7-1/2" Standard Forge Open Roller End

								
LINING TYPE	FMSI NO.	MERITOR FRICTION MIX	REMAN LINED BRAKE SHOE NUMBER	REMAN LINED BRAKE SHOE KIT NUMBER	MINOR HARDWARE KIT NUMBER	EXCHANGE SHOE CORE NO.	NEW SHOE NUMBER	
							MERITOR PRODUCTION	MERITOR AFTER-MARKET
Meritor Production	4692	MA212	XSMA212 4692	XK212 4692	R507074	C4692		R700007

15" x 3-1/2" Meritor Stopmaster Wedge

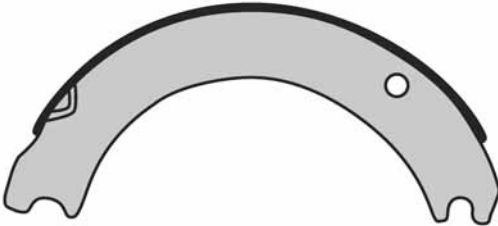
								
LINING TYPE	FMSI NO.	MERITOR FRICTION MIX	REMAN LINED BRAKE SHOE NUMBER	REMAN LINED BRAKE SHOE KIT NUMBER	MINOR HARDWARE KIT NUMBER	EXCHANGE SHOE CORE NO.	NEW SHOE NUMBER	
							MERITOR PRODUCTION	MERITOR AFTER-MARKET
Meritor Production	4562	MA212	XSMA212 4562SM			C4562		

15" x 3-1/2" Meritor T Front

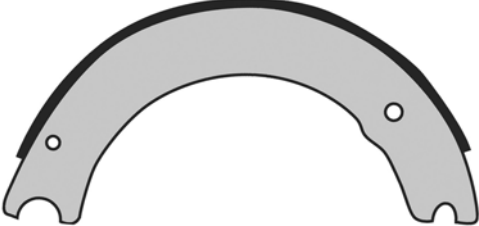
								
LINING TYPE	FMSI NO.	MERITOR FRICTION MIX	REMAN LINED BRAKE SHOE NUMBER	REMAN LINED BRAKE SHOE KIT NUMBER	MINOR HARDWARE KIT NUMBER	EXCHANGE SHOE CORE NO.	NEW SHOE NUMBER	
							MERITOR PRODUCTION	MERITOR AFTER-MARKET
Meritor Production	1307	MA212	XSMA212 1307T	XK212 1307T	KIT 9094	C1307	A3222-K-1103	

REMANUFACTURED BRAKE SHOES & BRAKE SHOE KITS

15" x 4" Bendix

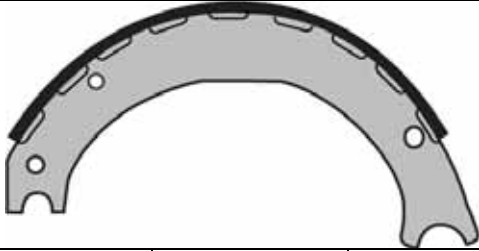
								
LINING TYPE	FMSI NO.	MERITOR FRICTION MIX	REMAN LINED BRAKE SHOE NUMBER	REMAN LINED BRAKE SHOE KIT NUMBER	MINOR HARDWARE KIT NUMBER	EXCHANGE SHOE CORE NO.	NEW SHOE NUMBER	
							MERITOR PRODUCTION	MERITOR AFTER-MARKET
Meritor Production	4693	MA212	XSMA212 4693	XK212 4693	R507080	C4693		R700013

15" x 4" Eaton Front

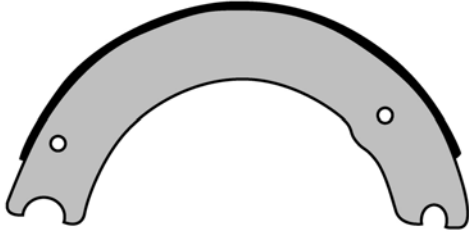
								
LINING TYPE	FMSI NO.	MERITOR FRICTION MIX	REMAN LINED BRAKE SHOE NUMBER	REMAN LINED BRAKE SHOE KIT NUMBER	MINOR HARDWARE KIT NUMBER	EXCHANGE SHOE CORE NO.	NEW SHOE NUMBER	
							MERITOR PRODUCTION	MERITOR AFTER-MARKET
Fras-Le Aftermarket	1308TT	AF550-1	XS550 1308E	XK550 1308E	MKT 1308E	C1308E		R1308E
	1308TT	AF555-1	XS555 1308E	XK555 1308E	MKT 1308E	C1308E		R1308E
	1308TT	AF557	XS557 1308E	XK557 1308E	MKT 1308E	C1308E		R1308E
Meritor Production	1308TT	MA210	XSMA210 1308E	XK210 1308E	MKT 1308E	C1308E		R1308E
	1308TT	MA212	XSMA212 1308E	XK212 1308E	MKT 1308E	C1308E		R1308E
	1308TT	MA310	XSMA310 1308E	XK310 1308E	MKT 1308E	C1308E		R1308E
	1308TT	MA312	XSMA312 1308E	XK312 1308E	MKT 1308E	C1308E		R1308E
	1308TT	R301	XSR301 1308E	XK301 1308E	MKT 1308E	C1308E		R1308E

REMANUFACTURED BRAKE SHOES & BRAKE SHOE KITS

15" x 4" Eaton ES Front - Block Lining

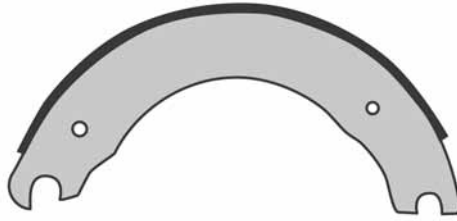
								
LINING TYPE	FMSI NO.	MERITOR FRICTION MIX	REMAN LINED BRAKE SHOE NUMBER	REMAN LINED BRAKE SHOE KIT NUMBER	MINOR HARDWARE KIT NUMBER	EXCHANGE SHOE CORE NO.	NEW SHOE NUMBER	
							MERITOR PRODUCTION	MERITOR AFTER-MARKET
Meritor Production	4729	MA212	XSMA212 4729ES	XK212 4729ES	R615026	C4729		R4729

15" x 4" Eaton ES Front - Strip Lining

								
LINING TYPE	FMSI NO.	MERITOR FRICTION MIX	REMAN LINED BRAKE SHOE NUMBER	REMAN LINED BRAKE SHOE KIT NUMBER	MINOR HARDWARE KIT NUMBER	EXCHANGE SHOE CORE NO.	NEW SHOE NUMBER	
							MERITOR PRODUCTION	MERITOR AFTER-MARKET
Fras-Le Aftermarket	1443TT	AF555-1	XS555 1443E	XK555 1443E	MKT 1308E	C1443		R700017
	1443TT	AF557	XS557 1443E	XK557 1443E	MKT 1308E	C1443		R700017
Meritor Production	1443TT	MA210	XSMA210 1443E	XK210 1443E	MKT 1308E	C1443		R700017
	1443TT	MA212	XSMA212 1443E	XK212 1443E	MKT 1308E	C1443		R700017
	1443TT	MA312	XSMA312 1443E	XK312 1443E	MKT 1308E	C1443		R700017
	1443TT	R301	XSR301 1443E	XK301 1443E	MKT 1308E	C1443		R700017

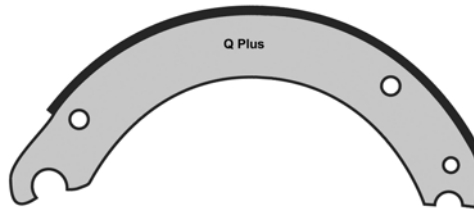
REMANUFACTURED BRAKE SHOES & BRAKE SHOE KITS

15" x 4" Meritor Q Front



LINING TYPE	FMSI NO.	MERITOR FRICTION MIX	REMAN LINED BRAKE SHOE NUMBER	REMAN LINED BRAKE SHOE KIT NUMBER	MINOR HARDWARE KIT NUMBER	EXCHANGE SHOE CORE NO.	NEW SHOE NUMBER	
							MERITOR PRODUCTION	MERITOR AFTER-MARKET
Fras-Le Aftermarket	1308TT	AF550-1	XS550 1308Q	XK550 1308Q	MKT 1308Q	C1308	A3222-F-1982	
	1308TT	AF555-1	XS555 1308Q	XK555 1308Q	MKT 1308Q	C1308	A3222-F-1982	
	1308TT	AF557	XS557 1308Q	XK557 1308Q	MKT 1308Q	C1308	A3222-F-1982	
Meritor Production	1308TT	MA210	XSMA210 1308Q	XK210 1308Q	KIT 8029	C1308	A3222-F-1982	
	1308TT	MA212	XSMA212 1308Q	XK212 1308Q	KIT 8029	C1308	A3222-F-1982	
	1308TT	MA310	XSMA310 1308Q	XK310 1308Q	KIT 8029	C1308	A3222-F-1982	
	1308TT	MA312	XSMA312 1308Q	XK312 1308Q	KIT 8029	C1308	A3222-F-1982	
	1308TT	R301	XSR301 1308Q	XK301 1308Q	KIT 8029	C1308	A3222-F-1982	

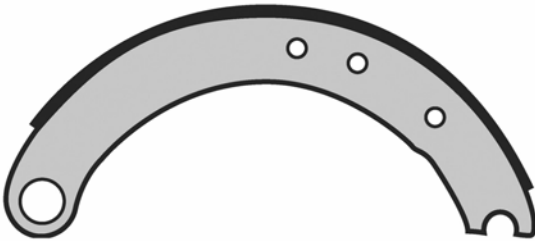
15" x 4" Meritor Q Plus Front



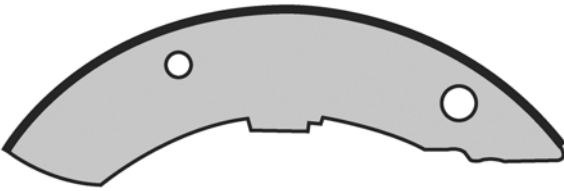
LINING TYPE	FMSI NO.	MERITOR FRICTION MIX	REMAN LINED BRAKE SHOE NUMBER	REMAN LINED BRAKE SHOE KIT NUMBER	MINOR HARDWARE KIT NUMBER	EXCHANGE SHOE CORE NO.	NEW SHOE NUMBER	
							MERITOR PRODUCTION	MERITOR AFTER-MARKET
Fras-Le Aftermarket	4702	AF550-1	XS550 4702QP	XK550 4702QP	MKT 4702KT	C4702QP	A3222-M-2223	
	4702	AF555-1	XS555 4702QP	XK555 4702QP	MKT 4702KT	C4702QP	A3222-M-2223	
	4702	AF557	XS557 4702QP	XK557 4702QP	MKT 4702KT	C4702QP	A3222-M-2223	
Meritor Production	4702	MA210	XSMA210 4702QP	XK210 4702QP	KIT 8824HD	C4702QP	A3222-M-2223	
	4702	MA212	XSMA212 4702QP	XK212 4702QP	KIT 8824HD	C4702QP	A3222-M-2223	
	4702	MA310	XSMA310 4702QP	XK310 4702QP	KIT 8824HD	C4702QP	A3222-M-2223	
	4702	MA312	XSMA312 4702QP	XK312 4702QP	KIT 8824HD	C4702QP	A3222-M-2223	
	4702	R301	XSR301 4702QP	XK301 4702QP	KIT 8824HD	C4702QP	A3222-M-2223	

REMANUFACTURED BRAKE SHOES & BRAKE SHOE KITS

15" x 4" Meritor T Front

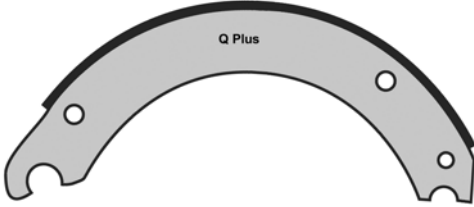
								
LINING TYPE	FMSI NO.	MERITOR FRICTION MIX	REMAN LINED BRAKE SHOE NUMBER	REMAN LINED BRAKE SHOE KIT NUMBER	MINOR HARDWARE KIT NUMBER	EXCHANGE SHOE CORE NO.	NEW SHOE NUMBER	
							MERITOR PRODUCTION	MERITOR AFTER-MARKET
Fras-Le Aftermarket	1308TT	AF550-1	XS550 1308T	XK550 1308T	KIT 1125	C1308T	A3222-F-1072	
	1308TT	AF555-1	XS555 1308T	XK555 1308T	KIT 1125	C1308T	A3222-F-1072	
	1308TT	AF557	XS557 1308T	XK557 1308T	KIT 1125	C1308T	A3222-F-1072	
Meritor Production	1308TT	MA212	XSMA212 1308T	XK212 1308T	KIT 9094	C1308T	A3222-F-1072	
	1308TT	MA310	XSMA310 1308T	XK310 1308T	KIT 9094	C1308T	A3222-F-1072	
	1308TT	R301	XSR301 1308T	XK301 1308T	KIT 9094	C1308T	A3222-F-1072	

15" x 5" Meritor Lucas Hydraulic

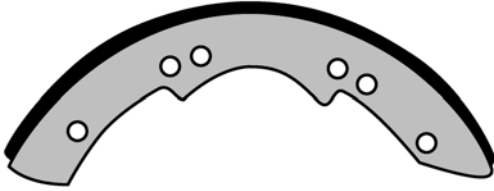
								
LINING TYPE	FMSI NO.	MERITOR FRICTION MIX	REMAN LINED BRAKE SHOE NUMBER	REMAN LINED BRAKE SHOE KIT NUMBER	MINOR HARDWARE KIT NUMBER	EXCHANGE SHOE CORE NO.	NEW SHOE NUMBER	
							MERITOR PRODUCTION	MERITOR AFTER-MARKET
Meritor Production	4528A	MA212	XSMA212 4528L		SP7896S , SP7897S	C4528	45 1003	

REMANUFACTURED BRAKE SHOES & BRAKE SHOE KITS

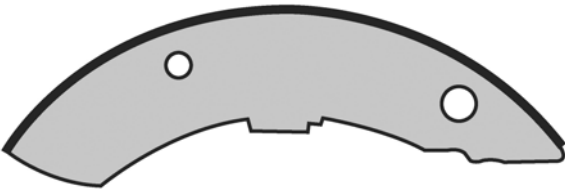
15" x 5" Meritor Q Plus Front

								
LINING TYPE	FMSI NO.	MERITOR FRICTION MIX	REMAN LINED BRAKE SHOE NUMBER	REMAN LINED BRAKE SHOE KIT NUMBER	MINOR HARDWARE KIT NUMBER	EXCHANGE SHOE CORE NO.	NEW SHOE NUMBER	
							MERITOR PRODUCTION	MERITOR AFTER-MARKET
Fras-Le Aftermarket	4703	AF557	XS557 4703QP	XK557 4703QP	MKT 4702KT	C4703QP	A3222-D-2110	
Meritor Production	4703	MA212	XSMA212 4703QP	XK212 4703QP	KIT 8824HD	C4703QP	A3222-D-2110	
	4703	MA312	XSMA312 4703QP	XK312 4703QP	KIT 8824HD	C4703QP	A3222-D-2110	
	4703	R301	XSR301 4703QP	XK301 4703QP	KIT 8824HD	C4703QP	A3222-D-2110	
	4703	R403	XSR403 4703QP	XK403 4703QP	KIT 8824HD	C4703QP	A3222-D-2110	

15" x 6" Bendix Wedge

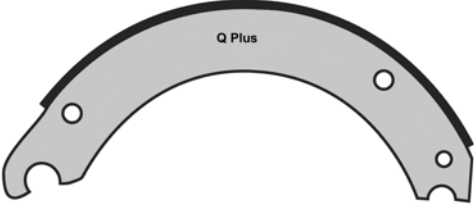
								
LINING TYPE	FMSI NO.	MERITOR FRICTION MIX	REMAN LINED BRAKE SHOE NUMBER	REMAN LINED BRAKE SHOE KIT NUMBER	MINOR HARDWARE KIT NUMBER	EXCHANGE SHOE CORE NO.	NEW SHOE NUMBER	
							MERITOR PRODUCTION	MERITOR AFTER-MARKET
Meritor Production	4605	MA212	XSMA212 4605BW			C4605B		

15" x 6" Meritor Lucas Hydraulic

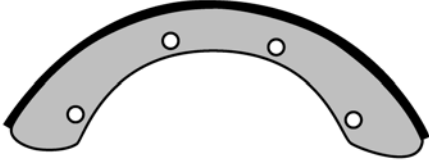
								
LINING TYPE	FMSI NO.	MERITOR FRICTION MIX	REMAN LINED BRAKE SHOE NUMBER	REMAN LINED BRAKE SHOE KIT NUMBER	MINOR HARDWARE KIT NUMBER	EXCHANGE SHOE CORE NO.	NEW SHOE NUMBER	
							MERITOR PRODUCTION	MERITOR AFTER-MARKET
Meritor Production	4504A	MA212	XSMA212 4504L		SP7896S , SP7897S	C4504	45 1004	

REMANUFACTURED BRAKE SHOES & BRAKE SHOE KITS

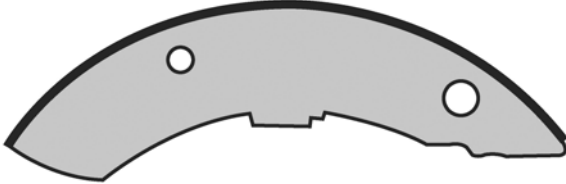
15" x 6" Meritor Q Plus Front

								
LINING TYPE	FMSI NO.	MERITOR FRICTION MIX	REMAN LINED BRAKE SHOE NUMBER	REMAN LINED BRAKE SHOE KIT NUMBER	MINOR HARDWARE KIT NUMBER	EXCHANGE SHOE CORE NO.	NEW SHOE NUMBER	
							MERITOR PRODUCTION	MERITOR AFTER-MARKET
Meritor Production	4704	MA212	XSMA212 4704QP	XK212 4704QP	KIT 8824HD	C4704QP	A3222-E-2111	

15" x 6" Meritor Stopmaster Wedge

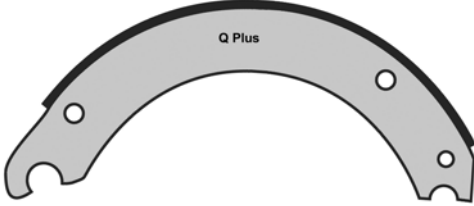
								
LINING TYPE	FMSI NO.	MERITOR FRICTION MIX	REMAN LINED BRAKE SHOE NUMBER	REMAN LINED BRAKE SHOE KIT NUMBER	MINOR HARDWARE KIT NUMBER	EXCHANGE SHOE CORE NO.	NEW SHOE NUMBER	
							MERITOR PRODUCTION	MERITOR AFTER-MARKET
Meritor Production	4605	MA212	XSMA212 4605SM			C4605R	A3722-U-359	

15" x 7" Meritor Lucas Hydraulic

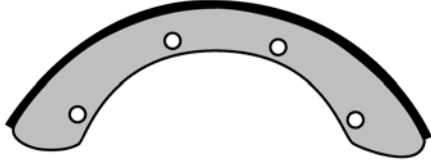
								
LINING TYPE	FMSI NO.	MERITOR FRICTION MIX	REMAN LINED BRAKE SHOE NUMBER	REMAN LINED BRAKE SHOE KIT NUMBER	MINOR HARDWARE KIT NUMBER	EXCHANGE SHOE CORE NO.	NEW SHOE NUMBER	
							MERITOR PRODUCTION	MERITOR AFTER-MARKET
Meritor Production	4505A	MA212	XSMA212 4505L		SP7896S , SP7897S	C4505	45 1005	

REMANUFACTURED BRAKE SHOES & BRAKE SHOE KITS

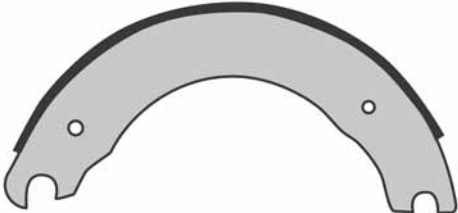
15" x 7" Meritor Q Plus Front

								
LINING TYPE	FMSI NO.	MERITOR FRICTION MIX	REMAN LINED BRAKE SHOE NUMBER	REMAN LINED BRAKE SHOE KIT NUMBER	MINOR HARDWARE KIT NUMBER	EXCHANGE SHOE CORE NO.	NEW SHOE NUMBER	
							MERITOR PRODUCTION	MERITOR AFTER-MARKET
Meritor Production	4705	MA212	XSMA212 4705QP	XK212 4705QP	KIT 8824HD	C4705QP	A3222-F-2112	

15" x 7" Meritor Stopmaster Wedge

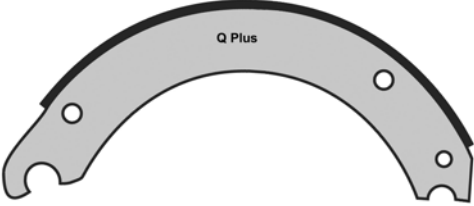
								
LINING TYPE	FMSI NO.	MERITOR FRICTION MIX	REMAN LINED BRAKE SHOE NUMBER	REMAN LINED BRAKE SHOE KIT NUMBER	MINOR HARDWARE KIT NUMBER	EXCHANGE SHOE CORE NO.	NEW SHOE NUMBER	
							MERITOR PRODUCTION	MERITOR AFTER-MARKET
Meritor Production	4602	MA310	XSMA310 4602RD		KIT 1162	C4602R	A3222-S-2021	

15" x 8-5/8" Eaton ES

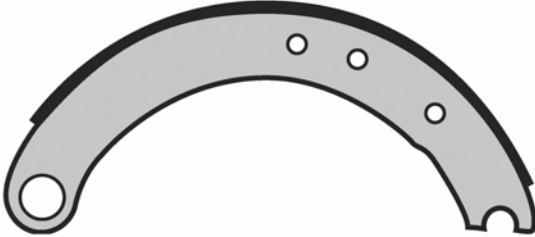
								
LINING TYPE	FMSI NO.	MERITOR FRICTION MIX	REMAN LINED BRAKE SHOE NUMBER	REMAN LINED BRAKE SHOE KIT NUMBER	MINOR HARDWARE KIT NUMBER	EXCHANGE SHOE CORE NO.	NEW SHOE NUMBER	
							MERITOR PRODUCTION	MERITOR AFTER-MARKET
Meritor Production	4717	MA212	XSMA212 4717ES	XK212 4717E	R507083	C4717	R700018	

REMANUFACTURED BRAKE SHOES & BRAKE SHOE KITS

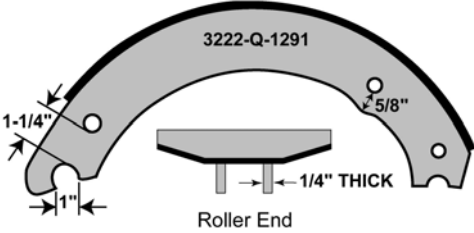
15" x 8-5/8" Meritor Q Plus

								
LINING TYPE	FMSI NO.	MERITOR FRICTION MIX	REMAN LINED BRAKE SHOE NUMBER	REMAN LINED BRAKE SHOE KIT NUMBER	MINOR HARDWARE KIT NUMBER	EXCHANGE SHOE CORE NO.	NEW SHOE NUMBER	
							MERITOR PRODUCTION	MERITOR AFTER-MARKET
Fras-Le Aftermarket	4710	AF555-1	XS555 4710QP	XK555 4710QP	MKT 4702KT	C4710QP	A3222-A-2159	
Meritor Production	4710	MA212	XSMA212 4710QP	XK212 4710QP	KIT 8824HD	C4710QP	A3222-A-2159	
	4710	MA312	XSMA312 4710QP	XK312 4710QP	KIT 8824HD	C4710QP	A3222-A-2159	
	4710	R301	XSR301 4710QP	XK301 4710QP	KIT 8824HD	C4710QP	A3222-A-2159	

16-1/4" x 3-1/2" Meritor T

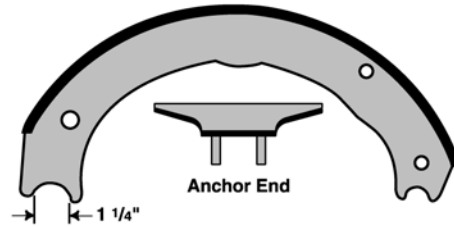
								
LINING TYPE	FMSI NO.	MERITOR FRICTION MIX	REMAN LINED BRAKE SHOE NUMBER	REMAN LINED BRAKE SHOE KIT NUMBER	MINOR HARDWARE KIT NUMBER	EXCHANGE SHOE CORE NO.	NEW SHOE NUMBER	
							MERITOR PRODUCTION	MERITOR AFTER-MARKET
Meritor Production	4561	MA212	XSMA212 4561T		KIT 9176 or KIT 9423	C4561	A3722-U-385	

16-1/2" x 4" Meritor Q

								
LINING TYPE	FMSI NO.	MERITOR FRICTION MIX	REMAN LINED BRAKE SHOE NUMBER	REMAN LINED BRAKE SHOE KIT NUMBER	MINOR HARDWARE KIT NUMBER	EXCHANGE SHOE CORE NO.	NEW SHOE NUMBER	
							MERITOR PRODUCTION	MERITOR AFTER-MARKET
Meritor Production	4549C	MA212	XSMA212 4549Q	XK212 4549Q	KIT 8000	C4549Q	A3722-B-80	

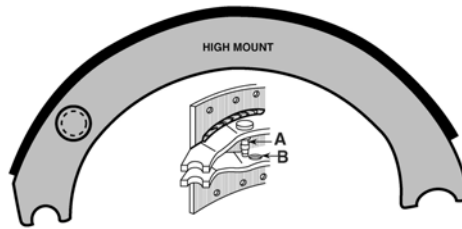
REMANUFACTURED BRAKE SHOES & BRAKE SHOE KITS

16-1/2" x 5" Eaton ES



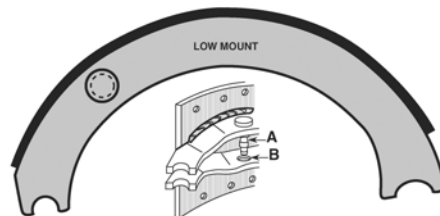
LINING TYPE	FMSI NO.	MERITOR FRICTION MIX	REMAN LINED BRAKE SHOE NUMBER	REMAN LINED BRAKE SHOE KIT NUMBER	MINOR HARDWARE KIT NUMBER	EXCHANGE SHOE CORE NO.	NEW SHOE NUMBER	
							MERITOR PRODUCTION	MERITOR AFTER-MARKET
Fras-Le Aftermarket	4719	AF557	XS557 4719ES	XK557 4719R ⁵ XK557 4719E ⁴	NKT 4709ES2-N R507094	C4719		R700024
Meritor Production	4719	MA212	XSMA212 4719ES	XK212 4719R ⁵ XK212 4719E ⁴	MKT 4709ES2-N R507094	C4719		R700024
	4719	MA312	XSMA312 4719E	XK312 4719R ⁵ XK312 4719E ⁴	MKT4709ES2-N R507094	C4719		R700024

16-1/2" x 5" Eaton High Mount



LINING TYPE	FMSI NO.	MERITOR FRICTION MIX	REMAN LINED BRAKE SHOE NUMBER	REMAN LINED BRAKE SHOE KIT NUMBER	MINOR HARDWARE KIT NUMBER	EXCHANGE SHOE CORE NO.	NEW SHOE NUMBER	
							MERITOR PRODUCTION	MERITOR AFTER-MARKET
Meritor Production	4223A	MA212	XSMA212 4223EH	XK212 4223EH	R507077	C4223H		R700008

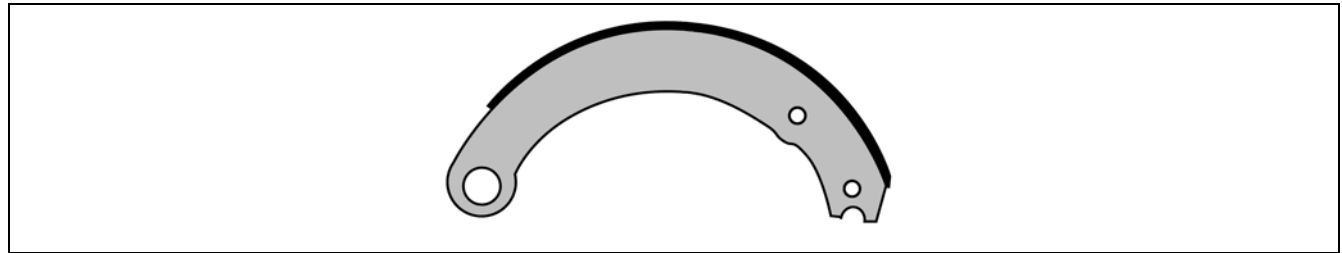
16-1/2" x 5" Eaton Low Mount



LINING TYPE	FMSI NO.	MERITOR FRICTION MIX	REMAN LINED BRAKE SHOE NUMBER	REMAN LINED BRAKE SHOE KIT NUMBER	MINOR HARDWARE KIT NUMBER	EXCHANGE SHOE CORE NO.	NEW SHOE NUMBER	
							MERITOR PRODUCTION	MERITOR AFTER-MARKET
Fras-Le Aftermarket	4223A	AF557	XS557 4223E	XK557 4223E	MKT 4311EHD-N	C4223		
Meritor Production	4223A	MA212	XSMA212 4223E	XK212 4223E	MKT 4311EHD-N	C4223		
	4223A	MA312	XSMA312 4223E	XK312 4223E	MKT 4311EHD-N	C4223		

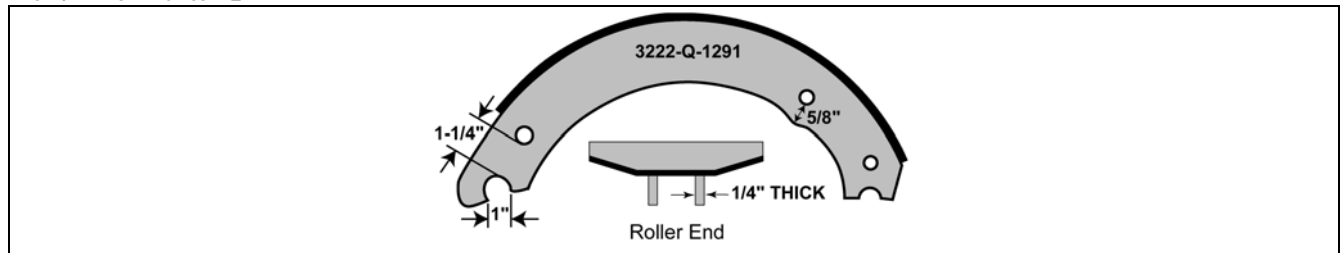
REMANUFACTURED BRAKE SHOES & BRAKE SHOE KITS

16-1/2" x 5" Meritor P



LINING TYPE	FMSI NO.	MERITOR FRICTION MIX	REMAN LINED BRAKE SHOE NUMBER	REMAN LINED BRAKE SHOE KIT NUMBER	MINOR HARDWARE KIT NUMBER	EXCHANGE SHOE CORE NO.	NEW SHOE NUMBER	
							MERITOR PRODUCTION	MERITOR AFTER-MARKET
Fras-Le Aftermarket	4524B	AF555-1	XS555 4524P	XK555 4524P	MKT 4515P	C4524P	A3722-D-82	
Meritor Production	4524B	MA212	XSMA212 4524P	XK212 4524P	KIT 9000	C4524P	A3722-D-82	
	4524B	R301	XSR301 4524P	XK301 4524P	KIT 9000	C4524P	A3722-D-82	

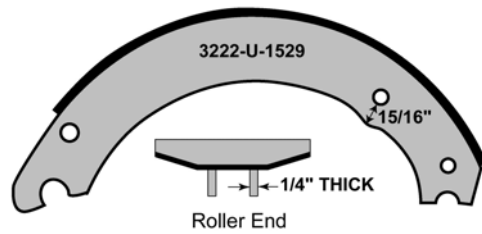
16-1/2" x 5" Meritor Q



LINING TYPE	FMSI NO.	MERITOR FRICTION MIX	REMAN LINED BRAKE SHOE NUMBER	REMAN LINED BRAKE SHOE KIT NUMBER	MINOR HARDWARE KIT NUMBER	EXCHANGE SHOE CORE NO.	NEW SHOE NUMBER	
							MERITOR PRODUCTION	MERITOR AFTER-MARKET
Fras-Le Aftermarket	4524B	AF540-1	XS540 4524Q	XK540 4524Q	MKT 4515Q-N	C4524Q	A3222-E-1383	
	4524B	AF550-1	XS550 4524Q	XK550 4524Q	MKT 4515Q-N	C4524Q	A3222-E-1383	
	4524B	AF555-1	XS555 4524Q	XK555 4524Q	MKT 4515Q-N	C4524Q	A3222-E-1383	
	4524B	AF557	XS557 4524Q	XK557 4524Q	MKT 4515Q-N	C4524Q	A3222-E-1383	
	4524B	AF560/555-1	XSCOM 4524Q	XKCOM 4524Q	MKT 4515Q-N	C4524Q	A3222-E-1383	
Meritor Production	4524B	MA212	XSMA212 4524Q	XK212 4524Q	KIT 8000	C4524Q	A3222-E-1383	
	4524B	MA310	XSMA310 4524Q	XK310 4524Q	KIT 8000	C4524Q	A3222-E-1383	
	4524B	MA312	XSMA312 4524Q	XK312 4524Q	KIT 8000	C4524Q	A3222-E-1383	
	4524B	R301	XSR301 4524Q	XK301 4524Q	KIT 8000	C4524Q	A3222-E-1383	
	4524B	R403	XSR403 4524Q	XK403 4524Q	KIT 8000	C4524Q	A3222-E-1383	

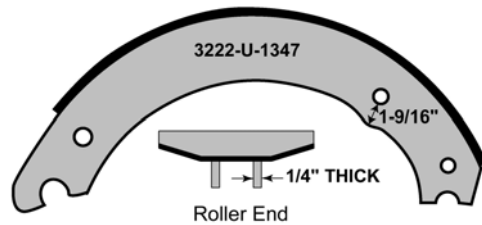
REMANUFACTURED BRAKE SHOES & BRAKE SHOE KITS

16-1/2" x 5" Meritor Q for 1.68" Offset Spider



LINING TYPE	FMSI NO.	MERITOR FRICTION MIX	REMAN LINED BRAKE SHOE NUMBER	REMAN LINED BRAKE SHOE KIT NUMBER	MINOR HARDWARE KIT NUMBER	EXCHANGE SHOE CORE NO.	NEW SHOE NUMBER	
							MERITOR PRODUCTION	MERITOR AFTER-MARKET
Fras-Le Aftermarket	4524B	AF557	XS557 4524QA	XK557 4524QA	R508053	C4524QA	A3222-G-1541	
Meritor Production	4524B	R301	XSR301 4524QA		KIT 8028A	C4524QA	A3222-G-1541	

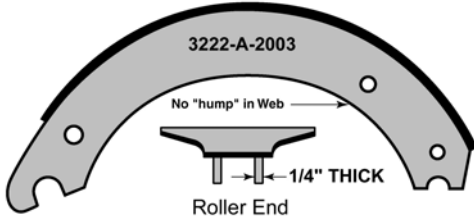
16-1/2" x 5" Meritor Q with Relocated Return Spring Hole



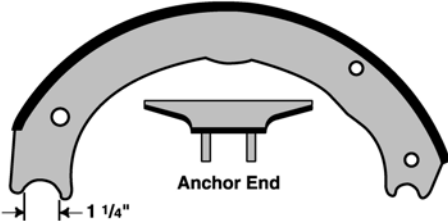
LINING TYPE	FMSI NO.	MERITOR FRICTION MIX	REMAN LINED BRAKE SHOE NUMBER	REMAN LINED BRAKE SHOE KIT NUMBER	MINOR HARDWARE KIT NUMBER	EXCHANGE SHOE CORE NO.	NEW SHOE NUMBER	
							MERITOR PRODUCTION	MERITOR AFTER-MARKET
Fras-Le Aftermarket	4524B	AF550-1	XS550 4524QR	XK550 4524QR	R508053	C4524QR	A3222-J-1440	
	4524B	AF555-1	XS555 4524QR	XK555 4524QR	R508053	C4524QR	A3222-J-1440	
	4524B	AF557	XS557 4524QR	XK557 4524QR	R508053	C4524QR	A3222-J-1440	
Meritor Production	4524B	MA212	XSMA212 4524QR	XK212 4524QR	KIT 8081	C4524QR	A3222-J-1440	
	4524B	MA310	XSMA310 4524QR	XK310 4524QR	KIT 8081	C4524QR	A3222-J-1440	
	4524B	MA312	XSMA312 4524QR	XK312 4524QR	KIT 8081	C4524QR	A3222-J-1440	
	4524B	R301	XSR301 4524QR	XK301 4524QR	KIT 8081	C4524QR	A3222-J-1440	
	4524B	R403	XSR403 4524QR	XK403 4524QR	KIT 8081	C4524QR	A3222-J-1440	

REMANUFACTURED BRAKE SHOES & BRAKE SHOE KITS

16-1/2" x 5" Meritor Q Plus

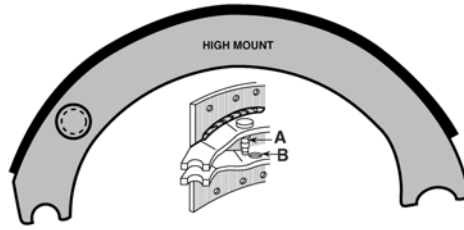
								
LINING TYPE	FMSI NO.	MERITOR FRICTION MIX	REMAN LINED BRAKE SHOE NUMBER	REMAN LINED BRAKE SHOE KIT NUMBER	MINOR HARDWARE KIT NUMBER	EXCHANGE SHOE CORE NO.	NEW SHOE NUMBER	
							MERITOR PRODUCTION	MERITOR AFTER-MARKET
Fras-Le Aftermarket	4720	AF555-1	XS555 4720QP	XK555 4720QP	R508053	C4720QP	A3222-Z-2288	
Meritor Production	4720	MA212	XSMA212 4720QP	XK212 4720QP	KIT 8081	C4720QP	A3222-Z-2288	
	4720	MA310	XSMA310 4720QP	XK310 4720QP	KIT 8081	C4720QP	A3222-Z-2288	
	4720	MA312	XSMA312 4720QP	XK312 4720QP	KIT 8081	C4720QP	A3222-Z-2288	
	4720	R301	XSR301 4720QP	XK301 4720QP	KIT 8081	C4720QP	A3222-Z-2288	

16-1/2" x 6" Eaton ES

								
LINING TYPE	FMSI NO.	MERITOR FRICTION MIX	REMAN LINED BRAKE SHOE NUMBER	REMAN LINED BRAKE SHOE KIT NUMBER	MINOR HARDWARE KIT NUMBER	EXCHANGE SHOE CORE NO.	NEW SHOE NUMBER	
							MERITOR PRODUCTION	MERITOR AFTER-MARKET
Fras-Le Aftermarket	4725	AF557	XS557 4725ES	XK557 4725R ⁵ XK557 4725E ⁴	MKT 4709ES2-N R507094	C4725		R700025
Meritor Production	4725	MA212	XSMA212 4725ES	XK212 4725ER ⁵ XK212 4725E ⁴	MKT 4709ES2-N R507094	C4725		R700025
	4725	MA312	XSMA312 4725ES	XK312 4725ER ⁵ XK312 4725E ⁴	MKT 4709ES2-N R507094	C4725		R700025

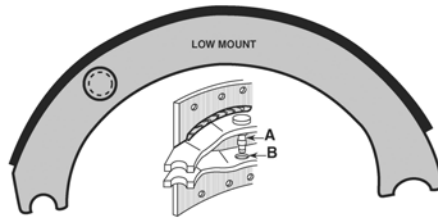
REMANUFACTURED BRAKE SHOES & BRAKE SHOE KITS

16-1/2" x 6" Eaton High Mount



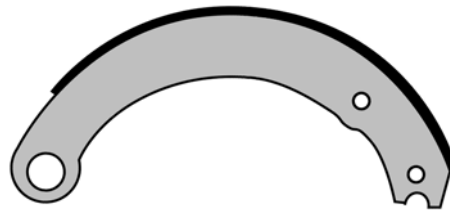
LINING TYPE	FMSI NO.	MERITOR FRICTION MIX	REMAN LINED BRAKE SHOE NUMBER	REMAN LINED BRAKE SHOE KIT NUMBER	MINOR HARDWARE KIT NUMBER	EXCHANGE SHOE CORE NO.	NEW SHOE NUMBER	
							MERITOR PRODUCTION	MERITOR AFTER-MARKET
Meritor Production	4317G	MA212	XSMA212 4317EH	XK212 4317EH	R507077	C4317H		R700023

16-1/2" x 6" Eaton Low Mount



LINING TYPE	FMSI NO.	MERITOR FRICTION MIX	REMAN LINED BRAKE SHOE NUMBER	REMAN LINED BRAKE SHOE KIT NUMBER	MINOR HARDWARE KIT NUMBER	EXCHANGE SHOE CORE NO.	NEW SHOE NUMBER	
							MERITOR PRODUCTION	MERITOR AFTER-MARKET
Fras-Le	4317G	AF555-1	XS555 4317E	XK555 4317E	MKT 4311EHD-N	C4317		R700023
Aftermarket	4317G	AF557	XS557 4317E	XK557 4317E	MKT 4311EHD-N	C4317		R700023
Meritor Production	4317G	MA212	XSMA212 4317E	XK212 4317E	MKT 4311EHD-N	C4317		R700023
	4317G	MA312	XSMA312 4317E	XK312 4317E	MKT 4311EHD-N	C4317		R700023

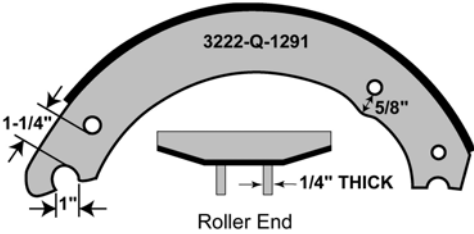
16-1/2" x 6" Meritor P



LINING TYPE	FMSI NO.	MERITOR FRICTION MIX	REMAN LINED BRAKE SHOE NUMBER	REMAN LINED BRAKE SHOE KIT NUMBER	MINOR HARDWARE KIT NUMBER	EXCHANGE SHOE CORE NO.	NEW SHOE NUMBER	
							MERITOR PRODUCTION	MERITOR AFTER-MARKET
Meritor Production	4514G	MA212	XSMA212 4514P	XK212 4514P	KIT 9000	C4514P	A3222-X-1142	
	4514G	R301	XSR301 4514P	XK301 4514P	KIT 9000	C4514P	A3222-X-1142	

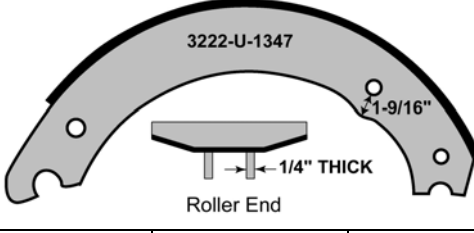
REMANUFACTURED BRAKE SHOES & BRAKE SHOE KITS

16-1/2" x 6" Meritor Q



LINING TYPE	FMSI NO.	MERITOR FRICTION MIX	REMAN LINED BRAKE SHOE NUMBER	REMAN LINED BRAKE SHOE KIT NUMBER	MINOR HARDWARE KIT NUMBER	EXCHANGE SHOE CORE NO.	NEW SHOE NUMBER	
							MERITOR PRODUCTION	MERITOR AFTER-MARKET
Fras-Le Aftermarket	4514G	AF550-1	XS550 4514Q	XK550 4514Q	MKT 4515Q-N	C4514Q	A3222-C-1381	
	4514G	AF555-1	XS555 4514Q	XK555 4514Q	MKT 4515Q-N	C4514Q	A3222-C-1381	
	4514G	AF557	XS557 4514Q	XK557 4514Q	MKT 4515Q-N	C4514Q	A3222-C-1381	
Meritor Production	4514G	MA212	XSMA212 4514Q	XK212 4514Q	KIT 8000	C4514Q	A3222-C-1381	
	4514G	MA310	XSMA310 4514Q	XK310 4514Q	KIT 8000	C4514Q	A3222-C-1381	
	4514G	MA312	XSMA312 4514Q	XK312 4514Q	KIT 8000	C4514Q	A3222-C-1381	
	4514G	R301	XSR301 4514Q	XK301 4514Q	KIT 8000	C4514Q	A3222-C-1381	
	4514G	R403	XSR403 4514Q	XK403 4514Q	KIT 8000	C4514Q	A3222-C-1381	

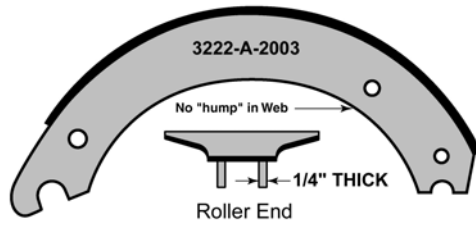
16-1/2" x 6" Meritor Q with Relocated Return Spring Hole



LINING TYPE	FMSI NO.	MERITOR FRICTION MIX	REMAN LINED BRAKE SHOE NUMBER	REMAN LINED BRAKE SHOE KIT NUMBER	MINOR HARDWARE KIT NUMBER	EXCHANGE SHOE CORE NO.	NEW SHOE NUMBER	
							MERITOR PRODUCTION	MERITOR AFTER-MARKET
Fras-Le Aftermarket	4514G	AF557	XS557 4514QR	XK557 4514QR	KIT 8081	C4514QR	A3222-V-1348	
Meritor Production	4514G	MA212	XSMA212 4514QR	XK212 4514QR	KIT 8081	C4514QR	A3222-V-1348	
	4514G	MA310	XSMA310 4514QR	XK310 4514QR	KIT 8081	C4514QR	A3222-V-1348	
	4514G	MA312	XSMA312 4514QR	XK312 4514QR	KIT 8081	C4514QR	A3222-V-1348	
	4514G	R301	XSR301 4514QR	XK301 4514QR	KIT 8081	C4514QR	A3222-V-1348	
	4514G	R403	XSR403 4514QR	XK403 4514QR	KIT 8081	C4514QR	A3222-V-1348	

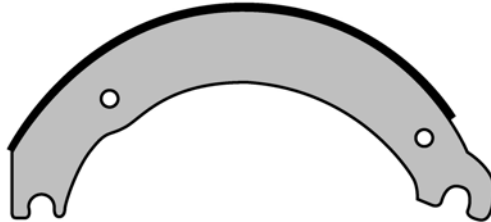
REMANUFACTURED BRAKE SHOES & BRAKE SHOE KITS

16-1/2" x 6" Meritor Q Plus



LINING TYPE	FMSI NO.	MERITOR FRICTION MIX	REMAN LINED BRAKE SHOE NUMBER	REMAN LINED BRAKE SHOE KIT NUMBER	MINOR HARDWARE KIT NUMBER	EXCHANGE SHOE CORE NO.	NEW SHOE NUMBER	
							MERITOR PRODUCTION	MERITOR AFTER-MARKET
Fras-Le Aftermarket	4715	AF555-1	XS555 4715QP	XK555 4715QP	R508053	C4715QP	A3222-P-2200	
	4715	AF557	XS557 4715QP	XK557 4715QP	R508053	C4715QP	A3222-P-2200	
Meritor Production	4715	MA212	XSMA212 4715QP	XK212 4715QP	KIT 8081	C4715QP	A3222-P-2200	
	4715	MA310	XSMA310 4715QP	XK310 4715QP	KIT 8081	C4715QP	A3222-P-2200	
	4715	MA312	XSMA312 4715QP	XK312 4715QP	KIT 8081	C4715QP	A3222-P-2200	
	4715	R301	XSR301 4715QP	XK301 4715QP	KIT 8081	C4715QP	A3222-P-2200	
	4715	R403	XSR403 4715QP	XK403 4715QP	KIT 8081	C4715QP	A3222-P-2200	

16-1/2" x 7" Bendix



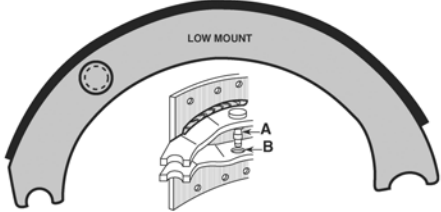
LINING TYPE	FMSI NO.	MERITOR FRICTION MIX	REMAN LINED BRAKE SHOE NUMBER	REMAN LINED BRAKE SHOE KIT NUMBER	MINOR HARDWARE KIT NUMBER	EXCHANGE SHOE CORE NO.	NEW SHOE NUMBER	
							MERITOR PRODUCTION	MERITOR AFTER-MARKET
Meritor Production	4515E	MA212	XSMA212 4515B	XK212 4515B	R507082	C4515B		R700014
	4515E	R301	XSR301 4515B	XK301 4515B	R507082	C4515B		R700014

MERITOR

an **ArvinMeritor** brand

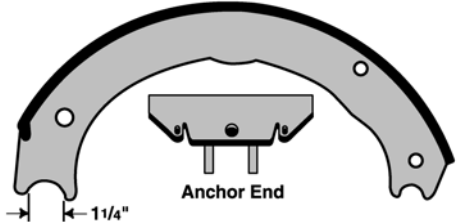
REMANUFACTURED BRAKE SHOES & BRAKE SHOE KITS

16-1/2" x 7" Eaton



LINING TYPE	FMSI NO.	MERITOR FRICTION MIX	REMAN LINED BRAKE SHOE NUMBER	REMAN LINED BRAKE SHOE KIT NUMBER	MINOR HARDWARE KIT NUMBER	EXCHANGE SHOE CORE NO.	NEW SHOE NUMBER	
							MERITOR PRODUCTION	MERITOR AFTER-MARKET
Fras-Le Aftermarket	4311J	AF520	XS520 4311E	XK520 4311E	MKT 4311EHD-N	C4311		R4311
	4311J	AF523	XS523 4311E	XK523 4311E	MKT 4311EHD-N	C4311		R4311
	4311J	AF540-1	XS540 4311E	XK540 4311E	MKT 4311EHD-N	C4311		R4311
	4311J	AF550-1	XS550 4311E	XK550 4311E	MKT 4311EHD-N	C4311		R4311
	4311J	AF555-1	XS555 4311E	XK555 4311E	MKT 4311EHD-N	C4311		R4311
	4311J	AF557	XS557 4311E	XK557 4311E	MKT 4311EHD-N	C4311		R4311
	4311J	AF560/555-1	XSCOM 4311E	XKCOM 4311E	MKT 4311EHD-N	C4311		R4311
Meritor Production	4311J	MA210	XSMA210 4311E	XK210 4311E	MKT 4311EHD-N	C4311		R4311
	4311J	MA212	XSMA212 4311E	XK212 4311E	MKT 4311EHD-N	C4311		R4311
	4311J	MA310	XSMA310 4311E	XK310 4311E	MKT 4311EHD-N	C4311		R4311
	4311J	MA312	XSMA312 4311E	XK312 4311E	MKT 4311EHD-N	C4311		R4311
	4311J	R301	XSR301 4311E	XK301 4311E	MKT 4311EHD-N	C4311		R4311

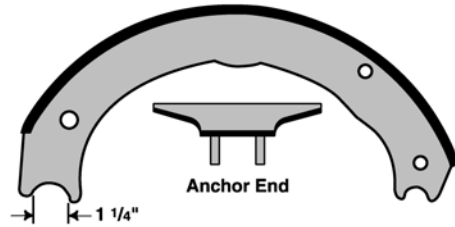
16-1/2" x 7" Eaton ES I



LINING TYPE	FMSI NO.	MERITOR FRICTION MIX	REMAN LINED BRAKE SHOE NUMBER	REMAN LINED BRAKE SHOE KIT NUMBER	MINOR HARDWARE KIT NUMBER	EXCHANGE SHOE CORE NO.	NEW SHOE NUMBER	
							MERITOR PRODUCTION	MERITOR AFTER-MARKET
Fras-Le Aftermarket	4709	AF520	XS520 4709E1	XK520 4709E1	MKT 4709ES-N	C4709		R4709
	4709	AF523	XS523 4709E1	XK523 4709E1	MKT 4709ES-N	C4709		R4709
	4709	AF540-1	XS540 4709E1	XK540 4709E1	MKT 4709ES-N	C4709		R4709
	4709	AF550-1	XS550 4709E1	XK550 4709E1	MKT 4709ES-N	C4709		R4709
	4709	AF555-1	XS555 4709E1	XK555 4709E1	MKT 4709ES-N	C4709		R4709
	4709	AF557	XS557 4709E1	XK557 4709E1	MKT 4709ES-N	C4709		R4709
	4709	AF560/555-1	XSCOM 4709E1	XKCOM 4709E1	MKT 4709ES-N	C4709		R4709
Meritor Production	4709	MA210	XSMA210 4709E1	XK210 4709E1	MKT 4709ES-N	C4709		R4709
	4709	MA212	XSMA212 4709E1	XK212 4709E1	MKT 4709ES-N	C4709		R4709
	4709	MA310	XSMA310 4709E1	XK310 4709E1	MKT 4709ES-N	C4709		R4709
	4709	MA312	XSMA312 4709E1	XK312 4709E1	MKT 4709ES-N	C4709		R4709
	4709	R301	XSR301 4709E1	XK301 4709E1	MKT 4709ES-N	C4709		R4709

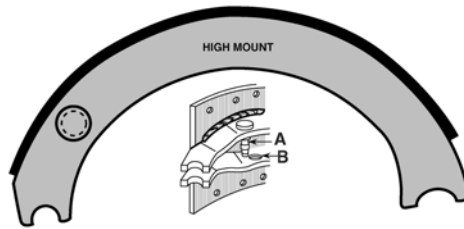
REMANUFACTURED BRAKE SHOES & BRAKE SHOE KITS

16-1/2" x 7" Eaton ES II



LINING TYPE	FMSI NO.	MERITOR FRICTION MIX	REMAN LINED BRAKE SHOE NUMBER	REMAN LINED BRAKE SHOE KIT NUMBER	MINOR HARDWARE KIT NUMBER	EXCHANGE SHOE CORE NO.	NEW SHOE NUMBER	
							MERITOR PRODUCTION	MERITOR AFTER-MARKET
Fras-Le Aftermarket	4709	AF520	XS520 4709E2	XK520 4709E2	MKT 4709ES2-N	C4709G2		R4709G2
	4709	AF523	XS523 4709E2	XK523 4709E2	MKT 4709ES2-N	C4709G2		R4709G2
	4709	AF540-1	XS540 4709E2	XK540 4709E2	MKT 4709ES2-N	C4709G2		R4709G2
	4709	AF550-1	XS550 4709E2	XK550 4709E2	MKT 4709ES2-N	C4709G2		R4709G2
	4709	AF555-1	XS555 4709E2	XK555 4709E2	MKT 4709ES2-N	C4709G2		R4709G2
	4709	AF557	XS557 4709E2	XK557 4709E2	MKT 4709ES2-N	C4709G2		R4709G2
	4709	AF560/555-1	XSCOM 4709E2	XKCOM 4709E2	MKT 4709ES2-N	C4709G2		R4709G2
Meritor Production	4709	MA210	XSMA210 4709E2	XK210 4709E2	MKT 4709ES2-N	C4709G2		R4709G2
	4709	MA212	XSMA212 4709E2	XK212 4709E2	MKT 4709ES2-N	C4709G2		R4709G2
	4709	MA310	XSMA310 4709E2	XK310 4709E2	MKT 4709ES2-N	C4709G2		R4709G2
	4709	MA312	XSMA312 4709E2	XK312 4709E2	MKT 4709ES2-N	C4709G2		R4709G2
	4709	R301	XSR301 4709E2	XK301 4709E2	MKT 4709ES2-N	C4709G2		R4709G2

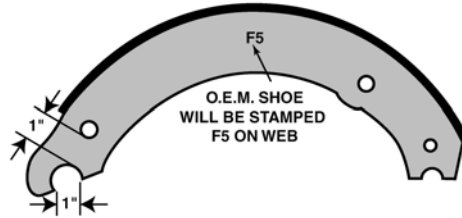
16-1/2" x 7" Eaton High Mount



LINING TYPE	FMSI NO.	MERITOR FRICTION MIX	REMAN LINED BRAKE SHOE NUMBER	REMAN LINED BRAKE SHOE KIT NUMBER	MINOR HARDWARE KIT NUMBER	EXCHANGE SHOE CORE NO.	NEW SHOE NUMBER	
							MERITOR PRODUCTION	MERITOR AFTER-MARKET
Meritor Production	4311J	MA210	XSMA210 4311EH	XK210 4311EH	R507077	C4311H		R700010
	4311J	MA212	XSMA212 4311EH	XK212 4311EH	R507077	C4311H		R700010
	4311J	MA310	XSMA310 4311EH	XK310 4311EH	R507077	C4311H		R700010
	4311J	R301	XSR301 4311EH	XK301 4311EH	R507077	C4311H		R700010

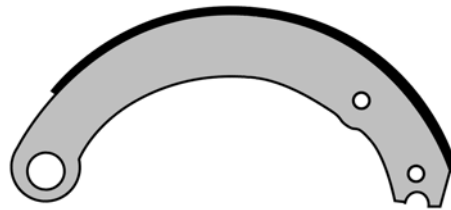
REMANUFACTURED BRAKE SHOES & BRAKE SHOE KITS

16-1/2" x 7" Fruehauf F5



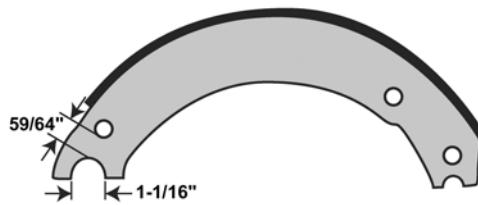
LINING TYPE	FMSI NO.	MERITOR FRICTION MIX	REMAN LINED BRAKE SHOE NUMBER	REMAN LINED BRAKE SHOE KIT NUMBER	MINOR HARDWARE KIT NUMBER	EXCHANGE SHOE CORE NO.	NEW SHOE NUMBER	
							MERITOR PRODUCTION	MERITOR AFTER-MARKET
Fras-Le Aftermarket	4515E	AF557	XS557 4515MF	XK557 4515MF	MKT 4515Q-N	C4515F5		R4515F5
Meritor Production	4515G	MA212	XSMA212 4515MF	XK212 4515MF	KIT 8000	C4515F5		R4515F5
	4515G	R301	XSR301 4515MF	XK301 4515MF	KIT 8000	C4515F5		R4515F5

16-1/2" x 7" Fruehauf P



LINING TYPE	FMSI NO.	MERITOR FRICTION MIX	REMAN LINED BRAKE SHOE NUMBER	REMAN LINED BRAKE SHOE KIT NUMBER	MINOR HARDWARE KIT NUMBER	EXCHANGE SHOE CORE NO.	NEW SHOE NUMBER	
							MERITOR PRODUCTION	MERITOR AFTER-MARKET
Meritor Production	4515E	MA212	XSMA212 4515F		R507011	C4515F		

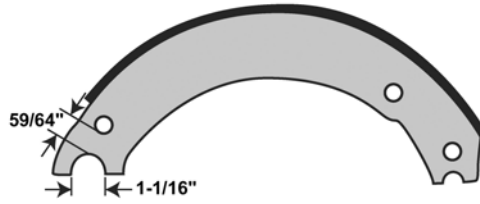
16-1/2" x 7" Fruehauf XEM3



LINING TYPE	FMSI NO.	MERITOR FRICTION MIX	REMAN LINED BRAKE SHOE NUMBER	REMAN LINED BRAKE SHOE KIT NUMBER	MINOR HARDWARE KIT NUMBER	EXCHANGE SHOE CORE NO.	NEW SHOE NUMBER	
							MERITOR PRODUCTION	MERITOR AFTER-MARKET
Fras-Le Aftermarket	4515E	AF520	XS520 4515F3	XK520 4515F3	MKT 4515X	C4515F3		R4515F3
	4515E	AF523	XS523 4515F3	XK523 4515F3	MKT 4515X	C4515F3		R4515F3
	4515E	AF540-1	XS540 4515F3	XK540 4515F3	MKT 4515X	C4515F3		R4515F3
	4515E	AF550-1	XS550 4515F3	XK550 4515F3	MKT 4515X	C4515F3		R4515F3
	4515E	AF555-1	XS555 4515F3	XK555 4515F3	MKT 4515X	C4515F3		R4515F3
	4515E	AF557	XS557 4515F3	XK557 4515F3	MKT 4515X	C4515F3		R4515F3
	4515E	AF560/555-1	XSCOM 4515F3	XKCOM 4515F3	MKT 4515X	C4515F3		R4515F3

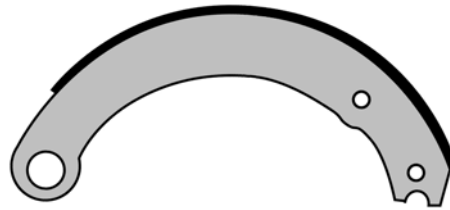
REMANUFACTURED BRAKE SHOES & BRAKE SHOE KITS

16-1/2" x 7" Fruehauf XEM3



LINING TYPE	FMSI NO.	MERITOR FRICTION MIX	REMAN LINED BRAKE SHOE NUMBER	REMAN LINED BRAKE SHOE KIT NUMBER	MINOR HARDWARE KIT NUMBER	EXCHANGE SHOE CORE NO.	NEW SHOE NUMBER	
							MERITOR PRODUCTION	MERITOR AFTER-MARKET
Meritor Production	4515G	MA210	XSMA210 4515F3	XK210 4515F3 XK210 4515F3HD	MKT 4515X MKT 4515XHD	C4515F3		R4515F3
	4515G	MA212	XSMA212 4515F3	XK212 4515F3 XK212 4515F3HD	MKT 4515X MKT 4515XHD	C4515F3		R4515F3
	4515G	MA310	XSMA310 4515F3	XK310 4515F3 XK310 4515F3HD	MKT 4515X MKT 4515XHD	C4515F3		R4515F3
	4515G	MA312	XSMA312 4515F3	XK312 4515F3 XK312 4515F3HD	MKT 4515X MKT 4515XHD	C4515F3		R4515F3
	4515G	R301	XSR301 4515F3	XK301 4515F3 XK301 4515F3HD	MKT 4515X MKT 4515XHD	C4515F3		R4515F3

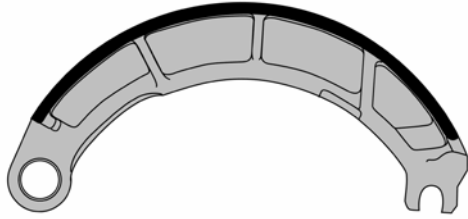
16-1/2" x 7" Meritor P



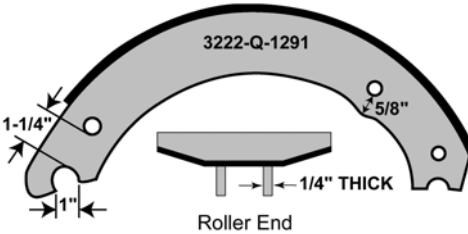
LINING TYPE	FMSI NO.	MERITOR FRICTION MIX	REMAN LINED BRAKE SHOE NUMBER	REMAN LINED BRAKE SHOE KIT NUMBER	MINOR HARDWARE KIT NUMBER	EXCHANGE SHOE CORE NO.	NEW SHOE NUMBER	
							MERITOR PRODUCTION	MERITOR AFTER-MARKET
Fras-Le Aftermarket	4515E	AF520	XS520 4515P	XK520 4515P	MKT 4515P	C4515P	A3722-N-66	R4515P
	4515E	AF540-1	XS540 4515P	XK540 4515P	MKT 4515P	C4515P	A3722-N-66	R4515P
	4515E	AF550-1	XS550 4515P	XK550 4515P	MKT 4515P	C4515P	A3722-N-66	R4515P
	4515E	AF557	XS557 4515P	XK557 4515P	MKT 4515P	C4515P	A3722-N-66	R4515P
Meritor Production	4515G	MA210	XSMA210 4515P	XK210 4515P	KIT 9000	C4515P	A3722-N-66	R4515P
	4515G	MA212	XSMA212 4515P	XK212 4515P	KIT 9000	C4515P	A3722-N-66	R4515P
	4515G	MA310	XSMA310 4515P	XK310 4515P	KIT 9000	C4515P	A3722-N-66	R4515P
	4515G	MA312	XSMA312 4515P	XK312 4515P	KIT 9000	C4515P	A3722-N-66	R4515P
	4515G	R301	XSR301 4515P	XK301 4515P	KIT 9000	C4515P	A3722-N-66	R4515P

REMANUFACTURED BRAKE SHOES & BRAKE SHOE KITS

16-1/2" x 7" Meritor P Cast

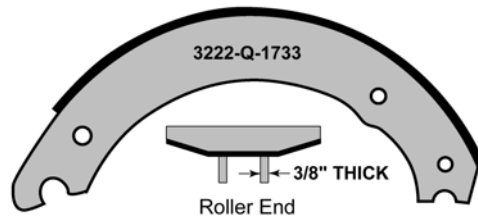
								
LINING TYPE	FMSI NO.	MERITOR FRICTION MIX	REMAN LINED BRAKE SHOE NUMBER	REMAN LINED BRAKE SHOE KIT NUMBER	MINOR HARDWARE KIT NUMBER	EXCHANGE SHOE CORE NO.	NEW SHOE NUMBER	
							MERITOR PRODUCTION	MERITOR AFTER-MARKET
Meritor Production	4515	R403	XSR403 4515PC	XK403 4515PC	KIT 9081		A3222-D-1954	

16-1/2" x 7" Meritor Q

								
LINING TYPE	FMSI NO.	MERITOR FRICTION MIX	REMAN LINED BRAKE SHOE NUMBER	REMAN LINED BRAKE SHOE KIT NUMBER	MINOR HARDWARE KIT NUMBER	EXCHANGE SHOE CORE NO.	NEW SHOE NUMBER	
							MERITOR PRODUCTION	MERITOR AFTER-MARKET
Fras-Le Aftermarket	4515E	AF520	XS520 4515Q	XK520 4515Q	MKT 4515Q-N	C4515Q		R4515
	4515E	AF523	XS523 4515Q	XK523 4515Q XK523 4515QHD	MKT 4515Q-N MKT 4515QHD-N	C4515Q		R4515
	4515E	AF540-1	XS540 4515Q	XK540 4515Q	MKT 4515Q-N	C4515Q		R4515
	4515E	AF550-1	XS550 4515Q	XK550 4515Q	MKT 4515Q-N	C4515Q		R4515
	4515E	AF555-1	XS555 4515Q	XK555 4515Q	MKT 4515Q-N	C4515Q		R4515
	4515E	AF557	XS557 4515Q	XK557 4515Q	MKT 4515Q-N	C4515Q		R4515
	4515E	AF560	XS560 4515Q	XK560 4515Q	MKT 4515Q-N	C4515Q		R4515
	4515E	AF560/555-1	XSCOM 4515Q	XKCOM 4515Q	MKT 4515Q-N	C4515Q		R4515
Meritor Production	4515G	MA210	XSMA210 4515Q	XK210 4515Q XK210 4515QHD	KIT 8000 KIT 8000HD	C4515Q	A91-3222-S-1293	R4515
	4515G	MA212	XSMA212 4515Q	XK212 4515Q XK212 4515QHD XK212 4515QHDMB	KIT 8000 KIT 8000HD KIT 8000MBHD	C4515Q	A91-3222-S-1293	R4515
	4515G	MA310	XSMA310 4515Q	XK310 4515Q XK310 4515QHD	KIT 8000 KIT 8000HD	C4515Q	A91-3222-S-1293	R4515
	4515G	MA312	XSMA312 4515Q	XK312 4515Q XK312 4515QHD XK312 4515QHDMB	KIT 8000 KIT 8000HD KIT 8000MBHD	C4515Q	A91-3222-S-1293	R4515
	4515G	R301	XSR301 4515Q	XK301 4515Q XK301 4515QHD XK301 4515QHDMB	KIT 8000 KIT 8000HD KIT 8000MBHD	C4515Q	A91-3222-S-1293	R4515
	4515G	R403	XSR403 4515Q	XK403 4515Q XK403 4515QHD	KIT 8000 KIT 8000HD	C4515Q	A91-3222-S-1293	R4515

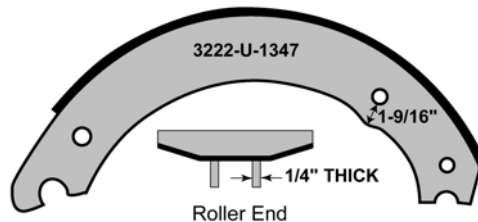
REMANUFACTURED BRAKE SHOES & BRAKE SHOE KITS

16-1/2" x 7" Meritor Q Heavy Duty



LINING TYPE	FMSI NO.	MERITOR FRICTION MIX	REMAN LINED BRAKE SHOE NUMBER	REMAN LINED BRAKE SHOE KIT NUMBER	MINOR HARDWARE KIT NUMBER	EXCHANGE SHOE CORE NO.	NEW SHOE NUMBER	
							MERITOR PRODUCTION	MERITOR AFTER-MARKET
Meritor Production	4515H	R403	XSR403 4515QM	XK403 4515M	KIT 8026HD	C4515H	A3222-S-1735	

16-1/2" x 7" Meritor Q with Relocated Return Spring Hole



LINING TYPE	FMSI NO.	MERITOR FRICTION MIX	REMAN LINED BRAKE SHOE NUMBER	REMAN LINED BRAKE SHOE KIT NUMBER	MINOR HARDWARE KIT NUMBER	EXCHANGE SHOE CORE NO.	NEW SHOE NUMBER	
							MERITOR PRODUCTION	MERITOR AFTER-MARKET
Fras-Le Aftermarket	4514G	AF555-1	XS555 4514QR	XK555 4514QR	KIT 8081	C4514QR	A3222-V-1348	

XpresswayPlus.ArvinMeritor.com



XpresswayPlus.ArvinMeritor.com
For all of your parts-ordering needs

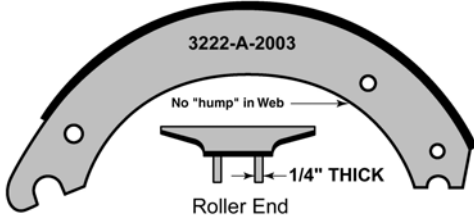
Don't forget about using *XpresswayPlus* for:

- Ordering parts online
- Order status
- Price and availability
- Invoice Lookup
- Parts Catalog
- Online e-mail or phone numbers for Customer Service, Information Services, Marketing, Catalog, and eSupport
- Reference Library
- The Company Store
- Literature
- Dealer/Distributor locator

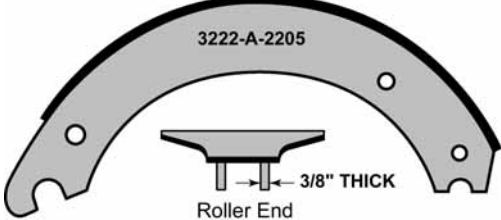
XpresswayPlus is easy to use, can reduce phone calls, and save you valuable time.

REMANUFACTURED BRAKE SHOES & BRAKE SHOE KITS

16-1/2" x 7" Meritor Q Plus

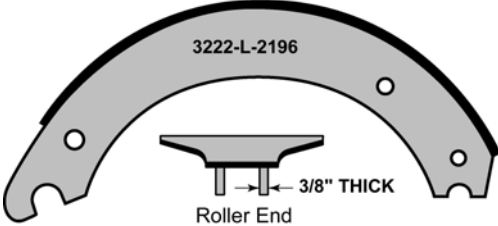
								
LINING TYPE	FMSI NO.	MERITOR FRICTION MIX	REMAN LINED BRAKE SHOE NUMBER	REMAN LINED BRAKE SHOE KIT NUMBER	MINOR HARDWARE KIT NUMBER	EXCHANGE SHOE CORE NO.	NEW SHOE NUMBER	
							MERITOR PRODUCTION	MERITOR AFTER-MARKET
Fras-Le Aftermarket	4707	AF520	XS520 4707QP	XK520 4707QP	MKT 4515QHD-N	C4707QP		R4707
	4707	AF523	XS523 4707QP	XK523 4707QP	MKT 4515QHD-N	C4707QP		R4707
	4707	AF540-1	XS540 4707QP	XK540 4707QP	MKT 4515QHD-N	C4707QP		R4707
	4707	AF550-1	XS550 4707QP	XK550 4707QP	MKT 4515QHD-N	C4707QP		R4707
	4707	AF555-1	XS555 4707QP	XK555 4707QP	MKT 4515QHD-N	C4707QP		R4707
	4707	AF557	XS557 4707QP	XK557 4707QP	MKT 4515QHD-N	C4707QP		R4707
	4707	AF557	XS560 4707QP	XK560 4707QP	MKT 4515QHD-N	C4707QP		R4707
	4707	AF560/555-1	XSCOM 4707QP	XKCOM 4707QP	MKT 4515QHD-N	C4707QP		R4707
Meritor Production	4707	MA210	XSMA210 4707QP	XK210 4707QP	KIT 8000HD	C4707QP	A19-3222-D-2006	R4707
	4707	MA212	XSMA212 4707QP	XK212 4707QP XK212 4707QPMB	KIT 8000HD KIT 8000MBHD	C4707QP	A19-3222-D-2006	R4707
	4707	MA310	XSMA310 4707QP	XK310 4707QP	KIT 8000HD	C4707QP	A19-3222-D-2006	R4707
	4707	MA312	XSMA312 4707QP	XK312 4707QP XK312 4707QPMB	KIT 8000HD KIT 8000MBHD	C4707QP	A19-3222-D-2006	R4707
	4707	R301	XSR301 4707QP	XK301 4707QPMB	KIT 8000MBHD	C4707QP	A19-3222-D-2006	R4707
	4707	R403	XSR403 4707QP	XK403 4707QP	KIT 8000HD	C4707QP	A19-3222-D-2006	R4707

16-1/2" x 7" Meritor Q Plus Heavy Duty

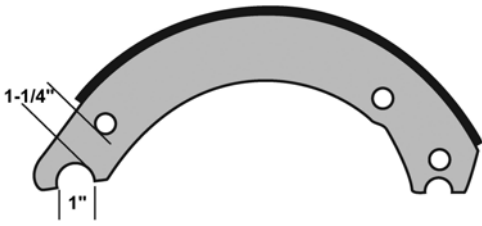
								
LINING TYPE	FMSI NO.	MERITOR FRICTION MIX	REMAN LINED BRAKE SHOE NUMBER	REMAN LINED BRAKE SHOE KIT NUMBER	MINOR HARDWARE KIT NUMBER	EXCHANGE SHOE CORE NO.	NEW SHOE NUMBER	
							MERITOR PRODUCTION	MERITOR AFTER-MARKET
Meritor Production	4707	MA310	XSMA310 4707QPM	XK310 4707QPM	KIT 8844HD	C4707QPM	A3222-X-2208	
	4707	R301	XSR301 4707QPM	XK301 4707QPM	KIT 8844HD	C4707QPM	A3222-X-2208	
	4707	R403	XSR403 4707QPM	XK403 4707QPM	KIT 8844HD	C4707QPM	A3222-X-2208	

REMANUFACTURED BRAKE SHOES & BRAKE SHOE KITS

16-1/2" x 7" Meritor Q Plus Heavy Duty - High Mount Spring Hole

								
LINING TYPE	FMSI NO.	MERITOR FRICTION MIX	REMAN LINED BRAKE SHOE NUMBER	REMAN LINED BRAKE SHOE KIT NUMBER	MINOR HARDWARE KIT NUMBER	EXCHANGE SHOE CORE NO.	NEW SHOE NUMBER	
							MERITOR PRODUCTION	MERITOR AFTER-MARKET
Meritor Production	4707	R403	XSR403 4707QPR	XK4034707QPR	KIT 8059	C4707QPR	A3222-F-2320	

16-1/2" x 7" Spicer XL

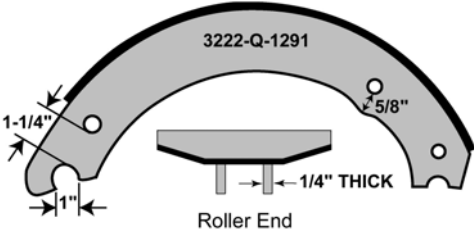
								
LINING TYPE	FMSI NO.	MERITOR FRICTION MIX	REMAN LINED BRAKE SHOE NUMBER	REMAN LINED BRAKE SHOE KIT NUMBER	MINOR HARDWARE KIT NUMBER	EXCHANGE SHOE CORE NO.	NEW SHOE NUMBER	
							MERITOR PRODUCTION	MERITOR AFTER-MARKET
Fras-Le Aftermarket	4701	AF520	XS520 4701STD ⁸			C4701		R4701
	4701	AF555-1	XS555 4701D	XK555 4701D	MKT 4515Q-N	C4701		R4701
	4701	AF555-1	XS555 4701STD ⁸			C4701		R4701
Meritor Production	4701	MA212	XSMA212 4701D ⁷	XK212 4701D	R507063	C4701		R4701
	4515G	MA212	XSMA212 4701STD ⁸	XK212 4701STD	MKT 4515Q-N	C4701		R4701
	4701	MA312	XSMA312 4701D ⁷	XK312 4701D	R507063	C4701		R4701
	4515G	MA312	XSMA312 4701STD ⁸	XK312 4701STD	MKT 4515Q-N	C4701		R4701

⁷ Spicer 4701 core lined with Spicer "XL" lining.

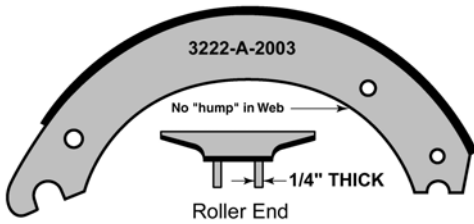
⁸ Spicer 4701 core lined with standard 4515 lining.

REMANUFACTURED BRAKE SHOES & BRAKE SHOE KITS

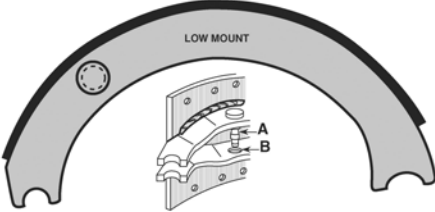
16-1/2" x 8" Meritor Q

								
LINING TYPE	FMSI NO.	MERITOR FRICTION MIX	REMAN LINED BRAKE SHOE NUMBER	REMAN LINED BRAKE SHOE KIT NUMBER	MINOR HARDWARE KIT NUMBER	EXCHANGE SHOE CORE NO.	NEW SHOE NUMBER	
							MERITOR PRODUCTION	MERITOR AFTER-MARKET
Meritor Production	4644B	MA212	XSMA212 4644Q		KIT 8000HD	C4644	A3222-B-1510	

16-1/2" x 8" Meritor Q Plus

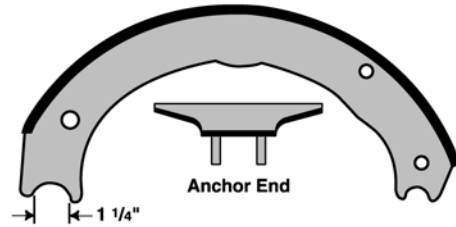
								
LINING TYPE	FMSI NO.	MERITOR FRICTION MIX	REMAN LINED BRAKE SHOE NUMBER	REMAN LINED BRAKE SHOE KIT NUMBER	MINOR HARDWARE KIT NUMBER	EXCHANGE SHOE CORE NO.	NEW SHOE NUMBER	
							MERITOR PRODUCTION	MERITOR AFTER-MARKET
Fras-Le Aftermarket	4718	AF557	XS557 4718QP	XK557 4718QP	MKT 4515QHD-N	C4718QP	A3222-J-2272	
Meritor Production	4718	MA210	XSMA210 4718QP	XK210 4718QP	KIT 8000HD	C4718QP	A3222-J-2272	
	4718	MA212	XSMA212 4718QP	XK212 4718QP	KIT 8000HD	C4718QP	A3222-J-2272	
				XK212 4718QPMB	KIT 8000HDMB			
	4718	MA310	XSMA310 4718QP	XK310 4718QP	KIT 8000HD	C4718QP	A3222-J-2272	
	4718	MA312	XSMA312 4718QP	XK312 4718QP	KIT 8000HD	C4718QP	A3222-J-2272	
4718	R301	XSR301 4718QP	XK301 4718QP	KIT 8000HD	C4718QP	A3222-J-2272		

16-1/2" x 8-5/8" Eaton

								
LINING TYPE	FMSI NO.	MERITOR FRICTION MIX	REMAN LINED BRAKE SHOE NUMBER	REMAN LINED BRAKE SHOE KIT NUMBER	MINOR HARDWARE KIT NUMBER	EXCHANGE SHOE CORE NO.	NEW SHOE NUMBER	
							MERITOR PRODUCTION	MERITOR AFTER-MARKET
Meritor Production	4674	MA212	XSMA212 4674E	XK212 4674E	MKT 4311EHD-N	C4674		R700021

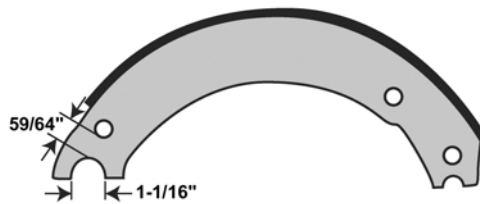
REMANUFACTURED BRAKE SHOES & BRAKE SHOE KITS

16-1/2" x 8-5/8" Eaton ES



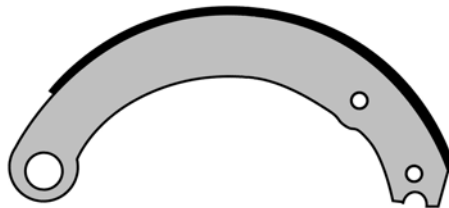
LINING TYPE	FMSI NO.	MERITOR FRICTION MIX	REMAN LINED BRAKE SHOE NUMBER	REMAN LINED BRAKE SHOE KIT NUMBER	MINOR HARDWARE KIT NUMBER	EXCHANGE SHOE CORE NO.	NEW SHOE NUMBER	
							MERITOR PRODUCTION	MERITOR AFTER-MARKET
Meritor Production	4726ES	MA212	XSMA212 4726ES	XK212 4726E	MKT 4709ES2-N	C4726		R700026
	4726ES	MA312	XSMA312 4726ES	XK312 4726E	MKT 4709ES2-N	C4726		R700026

16-1/2" x 8-5/8" Fruehauf XEM3 Offset



LINING TYPE	FMSI NO.	MERITOR FRICTION MIX	REMAN LINED BRAKE SHOE NUMBER	REMAN LINED BRAKE SHOE KIT NUMBER	MINOR HARDWARE KIT NUMBER	EXCHANGE SHOE CORE NO.	NEW SHOE NUMBER	
							MERITOR PRODUCTION	MERITOR AFTER-MARKET
Meritor Production	4551B	MA212	XSMA212 4551F3L	XK212 4551F3	MKT 4515XHD	C4551F3L		R704552
	4551B	MA212	XSMA212 4551F3R	XK212 4551F3	MKT 4515XHD	C4551F3R		R704551
	4551B	R301	XSR301 4551F3L	XK301 4551F3	MKT 4515XHD	C4551F3L		R704552
	4551B	R301	XSR301 4551F3R	XK301 4551F3	MKT 4515XHD	C4551F3R		R704551

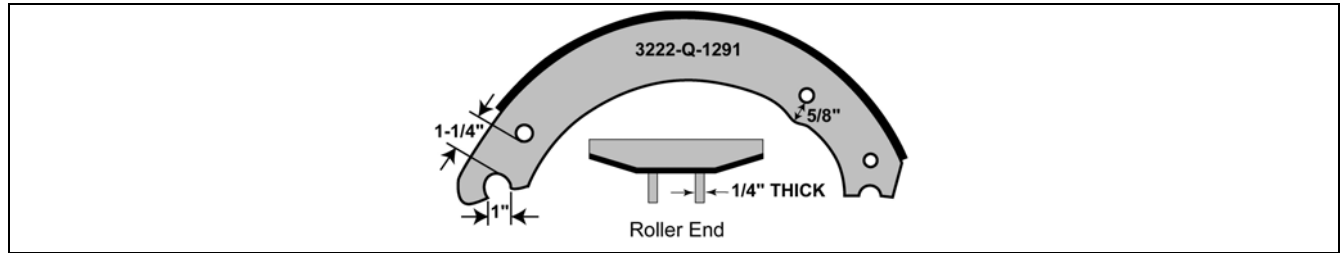
16-1/2" x 8-5/8" Meritor P



LINING TYPE	FMSI NO.	MERITOR FRICTION MIX	REMAN LINED BRAKE SHOE NUMBER	REMAN LINED BRAKE SHOE KIT NUMBER	MINOR HARDWARE KIT NUMBER	EXCHANGE SHOE CORE NO.	NEW SHOE NUMBER	
							MERITOR PRODUCTION	MERITOR AFTER-MARKET
Meritor Production	4551B	MA212	XSMA212 4551P	XK212 4551P	KIT 9001	C4551P	A3222-L-1572	
	4551B	R301	XSR301 4551P	XK301 4551P	KIT 9001	C4551P	A3222-L-1572	

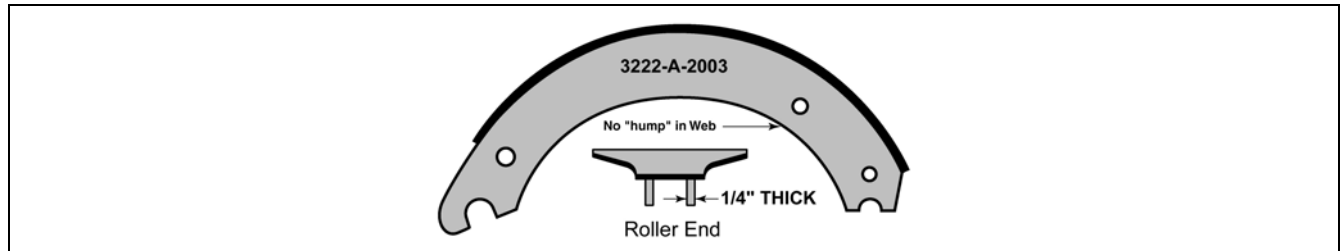
REMANUFACTURED BRAKE SHOES & BRAKE SHOE KITS

16-1/2" x 8-5/8" Meritor Q



LINING TYPE	FMSI NO.	MERITOR FRICTION MIX	REMAN LINED BRAKE SHOE NUMBER	REMAN LINED BRAKE SHOE KIT NUMBER	MINOR HARDWARE KIT NUMBER	EXCHANGE SHOE CORE NO.	NEW SHOE NUMBER	
							MERITOR PRODUCTION	MERITOR AFTER-MARKET
Fras-Le Aftermarket	4551B	AF550-1	XS550 4551Q	XK550 4551Q	MKT 4515QHD-N	C4551Q	A3222-T-1346	
	4551B	AF555-1	XS555 4551Q	XK555 4551Q	MKT 4515QHD-N	C4551Q	A3222-T-1346	
	4551B	AF557	XS557 4551Q	XK557 4551Q	MKT 4515QHD-N	C4551Q	A3222-T-1346	
Meritor Production	4551B	MA210	XSMA210 4551Q	XK210 4551Q	KIT 8000HD	C4551Q	A3222-T-1346	
	4551B	MA212	XSMA212 4551Q	XK212 4551Q	KIT 8000HD	C4551Q	A3222-T-1346	
	4551B	MA310	XSMA310 4551Q	XK310 4551Q	KIT 8000HD	C4551Q	A3222-T-1346	
	4551B	MA312	XSMA312 4551Q	XK312 4551Q	KIT 8000HD	C4551Q	A3222-T-1346	
	4551B	R301	XSR301 4551Q	XK301 4551Q	KIT 8000HD	C4551Q	A3222-T-1346	

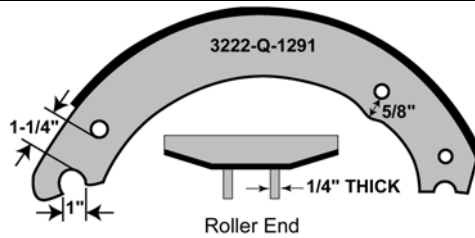
16-1/2" x 8-5/8" Meritor Q Plus



LINING TYPE	FMSI NO.	MERITOR FRICTION MIX	REMAN LINED BRAKE SHOE NUMBER	REMAN LINED BRAKE SHOE KIT NUMBER	MINOR HARDWARE KIT NUMBER	EXCHANGE SHOE CORE NO.	NEW SHOE NUMBER	
							MERITOR PRODUCTION	MERITOR AFTER-MARKET
Fras-Le Aftermarket	4711	AF557	XS557 4711QP	XK557 4711QP	KIT 8000HD	C4711QP	A3222-K-2169	
Meritor Production	4711	MA210	XSMA210 4711QP	XK210 4711QP	KIT 8000HD	C4711QP	A3222-K-2169	
	4711	MA212	XSMA212 4711QP	XK212 4711QP	KIT 8000HD	C4711QP	A3222-K-2169	
	4711	MA312	XSMA312 4711QP	XK312 4711QP	KIT 8000HD	C4711QP	A3222-K-2169	
	4711	R301	XSR301 4711QP	XK301 4711QP	KIT 8000HD	C4711QP	A3222-K-2169	
	4711	R403	XSR403 4711QP	XK403 4711QP	KIT 8000HD	C4711QP	A3222-K-2169	

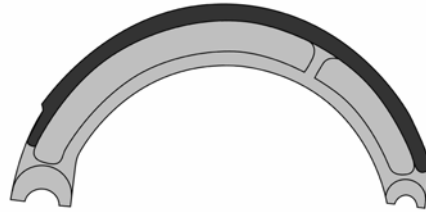
REMANUFACTURED BRAKE SHOES & BRAKE SHOE KITS

16-1/2" x 10" Meritor Q



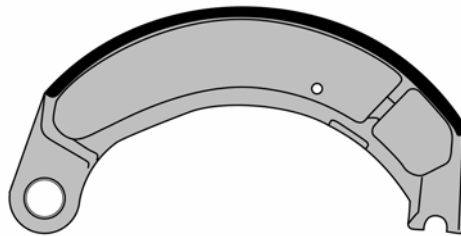
LINING TYPE	FMSI NO.	MERITOR FRICTION MIX	REMAN LINED BRAKE SHOE NUMBER	REMAN LINED BRAKE SHOE KIT NUMBER	MINOR HARDWARE KIT NUMBER	EXCHANGE SHOE CORE NO.	NEW SHOE NUMBER	
							MERITOR PRODUCTION	MERITOR AFTER-MARKET
Meritor Production	4552Q	MA212	XSMA212 4552Q	XK212 4552Q	KIT 8000HD	C4552Q	A3222-D-1356	

18" x 7" Eaton Cast



LINING TYPE	FMSI NO.	MERITOR FRICTION MIX	REMAN LINED BRAKE SHOE NUMBER	REMAN LINED BRAKE SHOE KIT NUMBER	MINOR HARDWARE KIT NUMBER	EXCHANGE SHOE CORE NO.	NEW SHOE NUMBER	
							MERITOR PRODUCTION	MERITOR AFTER-MARKET
Fras-Le	4527B	AF557	XS557 4527EC		R507072			R700009
Aftermarket	4527B	AF560/555-1	XSCOM 4527EC		R507072			R700009
Meritor Production	4527B	R403	XSR403 4527EC	XK403 4527EC	R507072	C4527		R700009

18" x 7" Meritor P Cast



LINING TYPE	FMSI NO.	MERITOR FRICTION MIX	REMAN LINED BRAKE SHOE NUMBER	REMAN LINED BRAKE SHOE KIT NUMBER	MINOR HARDWARE KIT NUMBER	EXCHANGE SHOE CORE NO.	NEW SHOE NUMBER	
							MERITOR PRODUCTION	MERITOR AFTER-MARKET
Meritor	4471B	MA312	XSMA312 4471RC		KIT 9179	C4471	A1-3222-B-1952	
Production	4471B	R301	XSR301 4471RC		KIT 9179	C4471	A1-3222-B-1952	
	4471B	R403	XSR403 4471RC	XK403 4471RC	KIT 9179	C4471	A1-3222-B-1952	

NUMERICAL PART LISTING

PART NUMBER	PAGE	PART NUMBER	PAGE	PART NUMBER	PAGE
KSF520 4311JE	24	KSF555 4515P	27	KSMA210 4709E1	25
KSF520 4515F3	27	KSF555 4515Q	28	KSMA210 4709E2	25
KSF520 4515QP	27	KSF555 4524Q	19	KSMA210 4711QP	33
KSF520 4515Q	28	KSF555 4524QR	21	KSMA210 4715QP	23
KSF520 4707QP	30	KSF555 4591S	12	KSMA210 4718QP	31
KSF520 4709E1	25	KSF555 4670Q	12	KSMA210 4720QP	21
KSF520 4709E2	25	KSF555 4702QP	14	KSMA212 1307T	13
KSF523 1308Q	14	KSF555 4707QP	30	KSMA212 1308E	13
KSF523 4223EH	19	KSF555 4708ER	26	KSMA212 1308Q	14
KSF523 4311JE	24	KSF555 4709ES	25	KSMA212 1308T	15
KSF523 4317EH	22	KSF555 4709ES2	25	KSMA212 1443E	13
KSF523 4514Q	22	KSF555 4715QP	23	KSMA212 4311E	24
KSF523 4515Q	28	KSF555 4719E	19	KSMA212 4311EBL	24
KSF523 4524Q	19	KSF555 4719R	19	KSMA212 4514Q	22
KSF523 4670Q	12	KSF557 1308E	13	KSMA212 4514QR	23
KSF523 4702QP	14	KSF557 1308Q	14	KSMA212 4515F3	27
KSF523 4703QP	16	KSF557 1308T	15	KSMA212 4515F3BL	27
KSF523 4707QP	30	KSF557 4311JE	24	KSMA212 4515P	27
KSF523 4709E1	25	KSF557 4514Q	22	KSMA212 4515Q	28
KSF523 4709E2	25	KSF557 4514QM	23	KSMA212 4515QBL	28
KSF523 4710QP	18	KSF557 4515F3	27	KSMA212 4524Q	20
KSF523 4711QP	33	KSF557 4515P	27	KSMA212 4524QR	21
KSF523 4715QP	23	KSF557 4515Q	28	KSMA212 4551Q	33
KSF523 4718QP	31	KSF557 4515QM	29	KSMA212 4692FC2	12
KSF523 4719E	19	KSF557 4524Q	19	KSMA212 4692FC2A	12
KSF523 4719R	19	KSF557 4524QR	21	KSMA212 4702QP	14
KSF523 4720QP	21	KSF557 4551Q	33	KSMA212 4702QPBL	14
KSF523 4725E	22	KSF557 4591S	12	KSMA212 4702QPT	15
KSF523 4725R	22	KSF557 4702QP	14	KSMA212 4703QP	16
KSF523 4726R	32	KSF557 4703QP	16	KSMA212 4704QP	17
KSF540 4311JE	24	KSF557 4707QP	30	KSMA212 4705QP	18
KSF540 4515F3	27	KSF557 4708EF	26	KSMA212 4707QP	30
KSF540 4515P	27	KSF557 4708ER	26	KSMA212 4707QPBL	30
KSF540 4515Q	28	KSF557 4709ES	25	KSMA212 4709E1	25
KSF540 4707QP	30	KSF557 4709ES2	25	KSMA212 4709E2	25
KSF540 4709ES	25	KSF557 4715QP	23	KSMA212 4709E2BL	25
KSF550 1308E	13	KSF557 4718QP	31	KSMA212 4710QP	18
KSF550 1308Q	14	KSF587 4515Q	28	KSMA212 4711QP	33
KSF550 4311JE	24	KSFCOM 4311JE	24	KSMA212 4715QP	23
KSF550 4514QM	23	KSFCOM 4514Q	22	KSMA212 4718QP	31
KSF550 4515F3	27	KSFCOM 4515F3	27	KSMA212 4719E	19
KSF550 4515P	27	KSFCOM 4515P	27	KSMA212 4719R	19
KSF550 4515Q	28	KSFCOM 4515Q	28	KSMA212 4720QP	21
KSF550 4524Q	19	KSFCOM 4524Q	19	KSMA212 4725E	22
KSF550 4524QR	21	KSFCOM 4524QR	21	KSMA212 4725R	22
KSF550 4591S	12	KSFCOM 4707QP	30	KSMA310 1308E	13
KSF550 4702QP	14	KSMA210 1308E	13	KSMA310 1308Q	14
KSF550 4707QP	30	KSMA210 1308Q	14	KSMA310 1308T	15
KSF550 4708ER	26	KSMA210 1308T	15	KSMA310 4311E	24
KSF550 4709ES	25	KSMA210 4311E	24	KSMA310 4514Q	22
KSF550 4709ES2	25	KSMA210 4515F3	27	KSMA310 4514QR	23
KSF555 1308E	13	KSMA210 4515P	27	KSMA310 4515F3	27
KSF555 1308Q	14	KSMA210 4515Q	28	KSMA310 4515P	27
KSF555 1443E	13	KSMA210 4524Q	20	KSMA310 4515Q	28
KSF555 4311JE	24	KSMA210 4524QR	21	KSMA310 4524Q	20
KSF555 4514Q	22	KSMA210 4551Q	33	KSMA310 4524QR	21
KSF555 4514QM	23	KSMA210 4702QP	14	KSMA310 4702QP	14
KSF555 4515F3	27	KSMA210 4707QP	30	KSMA310 4707QP	30

NUMERICAL PART LISTING

PART NUMBER	PAGE	PART NUMBER	PAGE	PART NUMBER	PAGE
KSMA310 4707QPM	30	KSR301 4705QP	18	PSMA312 4515Q	28
KSMA310 4709E1	25	KSR301 4707QP	30	PSMA312 4515QBL	28
KSMA310 4709E2	25	KSR301 4707QPM	30	PSMA312 4707QP	30
KSMA310 4715QP	23	KSR301 4707QPR	31	PSR301 4515P	27
KSMA310 4718QP	31	KSR301 4709E1	25	PSR301 4515Q	28
KSMA310 4720QP	21	KSR301 4709E2	25	PSR301 4707QP	30
KSMA312 1308E	13	KSR301 4710QP	18	SF520 4311JE	24
KSMA312 1308Q	14	KSR301 4711QP	33	SF520 4515F3	27
KSMA312 1443E	13	KSR301 4715QP	23	SF520 4515P	27
KSMA312 4311E	24	KSR301 4718QP	31	SF520 4515Q	28
KSMA312 4311EBL	24	KSR301 4720QP	21	SF520 4707QP	30
KSMA312 4514Q	22	KSR403 4514Q	22	SF520 4709E1	25
KSMA312 4514QR	23	KSR403 4514QR	23	SF520 4709E2	25
KSMA312 4515F3	27	KSR403 4515P	27	SF523 1308Q	14
KSMA312 4515F3BL	27	KSR403 4515PC	28	SF523 4223EH	19
KSMA312 4515P	27	KSR403 4515Q	28	SF523 4311JE	24
KSMA312 4515Q	28	KSR403 4515QM	29	SF523 4317EH	22
KSMA312 4524Q	20	KSR403 4524Q	20	SF523 4514Q	22
KSMA312 4524QR	21	KSR403 4524QR	21	SF523 4515Q	28
KSMA312 4670Q	12	KSR403 4602RD	18	SF523 4524Q	19
KSMA312 4702QP	14	KSR403 4703QP	16	SF523 4670Q	12
KSMA312 4702QPBL	14	KSR403 4707QP	30	SF523 4702QP	14
KSMA312 4703QP	16	KSR403 4707QPM	30	SF523 4703QP	16
KSMA312 4707QP	30	KSR403 4707QPR	31	SF523 4707QP	30
KSMA312 4707QPBL	30	KSR403 4711QP	33	SF523 4709E1	25
KSMA312 4709E1	25	KSR403 4715QP	23	SF523 4709E2	25
KSMA312 4709E2	25	KSR403 4720QP	21	SF523 4710QP	18
KSMA312 4709E2BL	25	PKSMA210 4515P	27	SF523 4711QP	33
KSMA312 4710QP	18	PKSMA210 4515Q	28	SF523 4715QP	23
KSMA312 4711QP	33	PKSMA210 4707QP	30	SF523 4718QP	31
KSMA312 4715QP	23	PKSMA212 4515P	27	SF523 4719ES	19
KSMA312 4718QP	31	PKSMA212 4515Q	28	SF523 4720QP	21
KSMA312 4718QPC	31	PKSMA212 4515QBL	28	SF523 4725ES	22
KSMA312 4719E	19	PKSMA212 4515QHD	28	SF523 4726ES	32
KSMA312 4719R	19	PKSMA212 4707QP	30	SF540 4311JE	24
KSMA312 4720QP	21	PKSMA212 4707QPBL	30	SF540 4515F3	27
KSMA312 4725E	22	PKSMA310 4515P	27	SF540 4515P	27
KSMA312 4725R	22	PKSMA310 4515Q	28	SF540 4515Q	28
KSMA312 4726R	32	PKSMA310 4707QP	30	SF540 4707QP	30
KSR301 1307T	13	PKSMA312 4515P	27	SF540 4709ES	25
KSR301 1308E	13	PKSMA312 4515Q	28	SF550 1308E	13
KSR301 1308Q	14	PKSMA312 4515QBL	28	SF550 1308Q	14
KSR301 1308T	15	PKSMA312 4707QP	30	SF550 4311JE	24
KSR301 4311E	24	PKSR301 4515P	27	SF550 4514QM	23
KSR301 4514Q	22	PKSR301 4515Q	28	SF550 4515F3	27
KSR301 4514QR	23	PKSR301 4707QP	30	SF550 4515P	27
KSR301 4515F3	27	PSMA210 4515P	27	SF550 4515Q	28
KSR301 4515P	27	PSMA210 4515Q	28	SF550 4524Q	19
KSR301 4515PC	28	PSMA210 4707QP	30	SF550 4524QR	21
KSR301 4515Q	28	PSMA212 4515P	27	SF550 4591S	12
KSR301 4524Q	20	PSMA212 4515Q	28	SF550 4702QP	14
KSR301 4524QA	20	PSMA212 4515QBL	28	SF550 4707QP	30
KSR301 4524QR	21	PSMA212 4707QP	30	SF550 4708ER	26
KSR301 4551Q	33	PSMA212 4707QPBL	30	SF550 4709ES	25
KSR301 4670Q	12	PSMA310 4515P	27	SF550 4709ES2	25
KSR301 4702QP	14	PSMA310 4515Q	28	SF555 1308E	13
KSR301 4703QP	16	PSMA310 4707QP	30	SF555 1308Q	14
KSR301 4704QP	17	PSMA312 4515P	27	SF555 1443ES	13

NUMERICAL PART LISTING

PART NUMBER	PAGE	PART NUMBER	PAGE	PART NUMBER	PAGE
SF555 4311JE	24	SMA210 4524Q	20	SMA310 4515Q	28
SF555 4514Q	22	SMA210 4524QR	21	SMA310 4524Q	20
SF555 4514QM	23	SMA210 4551Q	33	SMA310 4524QR	21
SF555 4515F3	27	SMA210 4702QP	14	SMA310 4702QP	14
SF555 4515P	27	SMA210 4707QP	30	SMA310 4707QP	30
SF555 4515Q	28	SMA210 4709E1	25	SMA310 4707QPM	30
SF555 4524Q	19	SMA210 4709E2	25	SMA310 4709E1	25
SF555 4524QR	21	SMA210 4711QP	33	SMA310 4709E2	25
SF555 4591S	12	SMA210 4715QP	23	SMA310 4715QP	23
SF555 4670Q	12	SMA210 4718QP	31	SMA310 4718QP	31
SF555 4702QP	14	SMA210 4720QP	21	SMA310 4720QP	21
SF555 4707QP	30	SMA212 1307T	13	SMA312 1308E	13
SF555 4708ER	26	SMA212 1308E	13	SMA312 1308Q	14
SF555 4709ES	25	SMA212 1308Q	14	SMA312 1443E	13
SF555 4709ES2	25	SMA212 1308T	15	SMA312 4311E	24
SF555 4715QP	23	SMA212 1443E	13	SMA312 4311EBL	24
SF555 4719ES	19	SMA212 4311E	24	SMA312 4514Q	22
SF557 1308E	13	SMA212 4311EBL	24	SMA312 4514QR	23
SF557 1308Q	14	SMA212 4504	17	SMA312 4515F3	27
SF557 1308T	15	SMA212 4505	17	SMA312 4515F3BL	27
SF557 4311JE	24	SMA212 4514Q	22	SMA312 4515P	27
SF557 4514Q	22	SMA212 4514QR	23	SMA312 4515Q	28
SF557 4514QM	23	SMA212 4515F3	27	SMA312 4524Q	20
SF557 4515F3	27	SMA212 4515F3BL	27	SMA312 4524QR	21
SF557 4515P	27	SMA212 4515P	27	SMA312 4670Q	12
SF557 4515Q	28	SMA212 4515Q	28	SMA312 4702QP	14
SF557 4515QM	29	SMA212 4515QBL	28	SMA312 4702QPBL	14
SF557 4524Q	19	SMA212 4524Q	20	SMA312 4703QP	16
SF557 4524QR	21	SMA212 4524QR	21	SMA312 4707QP	30
SF557 4551FL	32	SMA212 4528	16	SMA312 4707QPBL	30
SF557 4551FR	33	SMA212 4551Q	33	SMA312 4709E1	25
SF557 4551Q	33	SMA212 4692FC2	12	SMA312 4709E2	25
SF557 4591S	12	SMA212 4702QP	14	SMA312 4709E2BL	25
SF557 4702QP	14	SMA212 4702QPBL	14	SMA312 4710QP	18
SF557 4703QP	16	SMA212 4702QPT	15	SMA312 4711QP	33
SF557 4707QP	30	SMA212 4703QP	16	SMA312 4715QP	23
SF557 4708EF	26	SMA212 4704QP	17	SMA312 4718QP	31
SF557 4708ER	26	SMA212 4705QP	18	SMA312 4719ES	19
SF557 4709ES	25	SMA212 4707QP	30	SMA312 4720QP	21
SF557 4709ES2	25	SMA212 4707QPBL	30	SMA312 4725ES	22
SF557 4715QP	23	SMA212 4709E1	25	SMA312 4726ES	32
SF557 4718QP	31	SMA212 4709E2	25	SR301 1307T	13
SF587 4515Q	28	SMA212 4709E2BL	25	SR301 1308E	13
SFCOM 4311JE	24	SMA212 4710QP	18	SR301 1308Q	14
SFCOM 4514Q	22	SMA212 4711QP	33	SR301 1308T	15
SFCOM 4515F3	27	SMA212 4715QP	23	SR301 4311E	24
SFCOM 4515P	27	SMA212 4718QP	31	SR301 4514Q	22
SFCOM 4515Q	28	SMA212 4719E	19	SR301 4514QR	23
SFCOM 4524Q	19	SMA212 4720QP	21	SR301 4515F3	27
SFCOM 4524QR	21	SMA212 4725E	22	SR301 4515P	27
SFCOM 4707QP	30	SMA310 1308E	13	SR301 4515PC	28
SMA210 1308E	13	SMA310 1308Q	14	SR301 4515Q	28
SMA210 1308Q	14	SMA310 1308T	15	SR301 4524Q	20
SMA210 1308T	15	SMA310 4311E	24	SR301 4524QA	20
SMA210 4311E	24	SMA310 4514Q	22	SR301 4524QR	21
SMA210 4515F3	27	SMA310 4514QR	23	SR301 4551Q	33
SMA210 4515P	27	SMA310 4515F3	27	SR301 4670Q	12
SMA210 4515Q	28	SMA310 4515P	27	SR301 4702QP	14

NUMERICAL PART LISTING

PART NUMBER	PAGE	PART NUMBER	PAGE	PART NUMBER	PAGE
SR301 4703QP	16	XK212 4514Q	53	XK301 4515B	54
SR301 4704QP	17	XK212 4514QR	53	XK301 4515F3	58
SR301 4705QP	18	XK212 4515B	54	XK301 4515F3HD	58
SR301 4707QP	30	XK212 4515F3	58	XK301 4515MF	57
SR301 4707QPM	30	XK212 4515F3HD	58	XK301 4515P	58
SR301 4707QPR	31	XK212 4515MF	57	XK301 4515Q	59
SR301 4709E1	25	XK212 4515P	58	XK301 4515QHD	59
SR301 4709E2	25	XK212 4515Q	59	XK301 4515QHDMB	59
SR301 4710QP	18	XK212 4515QHD	59	XK301 4524P	49
SR301 4711QP	33	XK212 4515QHDMB	59	XK301 4524Q	49
SR301 4715QP	23	XK212 4524P	49	XK301 4524QR	50
SR301 4718QP	31	XK212 4524Q	49	XK301 4551F3	64
SR301 4720QP	21	XK212 4524QR	50	XK301 4551P	64
SR403 4514Q	22	XK212 4549Q	47	XK301 4551Q	65
SR403 4514QR	23	XK212 4551F3	64	XK301 4702QP	42
SR403 4515P	27	XK212 4551P	64	XK301 4703QP	44
SR403 4515PC	28	XK212 4551Q	65	XK301 4707QPM	61
SR403 4515Q	28	XK212 4552Q	66	XK301 4707QPMB	61
SR403 4515QM	29	XK212 4591D	37	XK301 4709E1	55
SR403 4524Q	20	XK212 4591E	38	XK301 4709E2	56
SR403 4524QR	21	XK212 4591S	38	XK301 4710QP	47
SR403 4602RD	18	XK212 4670Q	38	XK301 4711QP	65
SR403 4703QP	16	XK212 4674E	63	XK301 4715QP	54
SR403 4707QP	30	XK212 4692	39	XK301 4718QP	63
SR403 4707QPM	30	XK212 4692U	37	XK301 4720QP	51
SR403 4707QPR	31	XK212 4693	40	XK310 1308E	40
SR403 4711QP	33	XK212 4701D	62	XK310 1308Q	42
SR403 4715QP	23	XK212 4701STD	62	XK310 1308T	43
SR403 4720QP	21	XK212 4702QP	42	XK310 4311E	55
XK210 1308E	40	XK212 4703QP	44	XK310 4311EH	56
XK210 1308Q	42	XK212 4704QP	45	XK310 4514Q	53
XK210 1443E	41	XK212 4705QP	46	XK310 4514QR	53
XK210 4311E	55	XK212 4707QP	61	XK310 4515F3	58
XK210 4311EH	56	XK212 4707QPMB	61	XK310 4515F3HD	58
XK210 4515F3	58	XK212 4709E1	55	XK310 4515P	58
XK210 4515F3HD	58	XK212 4709E2	56	XK310 4515Q	59
XK210 4515P	58	XK212 4710QP	47	XK310 4515QHD	59
XK210 4515Q	59	XK212 4711QP	65	XK310 4524Q	49
XK210 4515QHD	59	XK212 4715QP	54	XK310 4524QR	50
XK210 4551Q	65	XK212 4717E	46	XK310 4551Q	65
XK210 4702QP	42	XK212 4718QP	63	XK310 4702QP	42
XK210 4707QP	61	XK212 4718QPMB	63	XK310 4707QP	61
XK210 4709E1	55	XK212 4719E	48	XK310 4707QPM	61
XK210 4709E2	56	XK212 4719R	48	XK310 4709E1	55
XK210 4711QP	65	XK212 4720QP	51	XK310 4709E2	56
XK210 4718QP	63	XK212 4725E	51	XK310 4715QP	54
XK212 1307T	39	XK212 4725ER	51	XK310 4718QP	63
XK212 1308E	40	XK212 4726E	64	XK310 4720QP	51
XK212 1308Q	42	XK212 4729ES	41	XK312 1308E	40
XK212 1308T	43	XK301 1308E	40	XK312 1308Q	42
XK212 1443E	41	XK301 1308Q	42	XK312 1443E	41
XK212 4223E	48	XK301 1308T	43	XK312 4223E	48
XK212 4223EH	48	XK301 1443E	41	XK312 4311E	55
XK212 4311E	55	XK301 4311E	55	XK312 4317E	52
XK212 4311EH	56	XK301 4311EH	56	XK312 4514Q	53
XK212 4317E	52	XK301 4514P	52	XK312 4514QR	53
XK212 4317EH	52	XK301 4514Q	53	XK312 4515F3	58
XK212 4514P	52	XK301 4514QR	53	XK312 4515F3HD	58

NUMERICAL PART LISTING

PART NUMBER	PAGE
XK312 4515P	58
XK312 4515Q	59
XK312 4515QHD	59
XK312 4515QHDMB	59
XK312 4524Q	49
XK312 4524QR	50
XK312 4551Q	65
XK312 4670Q	38
XK312 4701D	62
XK312 4701STD	62
XK312 4702QP	42
XK312 4703QP	44
XK312 4707QP	61
XK312 4707QPMB	61
XK312 4709E1	55
XK312 4709E2	56
XK312 4710QP	47
XK312 4711QP	65
XK312 4715QP	54
XK312 4718QP	63
XK312 4719E	48
XK312 4719R	48
XK312 4720QP	51
XK312 4725E	51
XK312 4725ER	51
XK312 4726E	64
XK403 4471RC	66
XK403 4514Q	53
XK403 4514QR	53
XK403 4515M	60
XK403 4515PC	59
XK403 4515Q	59
XK403 4515QHD	59
XK403 4524Q	49
XK403 4524QR	50
XK403 4527EC	66
XK403 4703QP	44
XK403 4707QP	61
XK403 4707QPM	61
XK403 4711QP	65
XK403 4715QP	54
XK4034707QPR	62
XK520 4311E	55
XK520 4515F3	57
XK520 4515P	58
XK520 4515Q	59
XK520 4707QP	61
XK520 4709E1	55
XK520 4709E2	56
XK523 4311E	55
XK523 4515F3	57
XK523 4515Q	59
XK523 4515QHD	59
XK523 4707QP	61
XK523 4709E1	55
XK523 4709E2	56
XK540 4311E	55
XK540 4515F3	57

PART NUMBER	PAGE
XK540 4515P	58
XK540 4515Q	59
XK540 4524Q	49
XK540 4707QP	61
XK540 4709E1	55
XK540 4709E2	56
XK550 1308E	40
XK550 1308Q	42
XK550 1308T	43
XK550 4311E	55
XK550 4514Q	53
XK550 4515F3	57
XK550 4515P	58
XK550 4515Q	59
XK550 4524Q	49
XK550 4524QR	50
XK550 4551Q	65
XK550 4670Q	38
XK550 4702QP	42
XK550 4707QP	61
XK550 4709E1	55
XK550 4709E2	56
XK555 1308E	40
XK555 1308Q	42
XK555 1308T	43
XK555 1443E	41
XK555 4311E	55
XK555 4317E	52
XK555 4514Q	53
XK555 4514QR	60
XK555 4515F3	57
XK555 4515Q	59
XK555 4524P	49
XK555 4524Q	49
XK555 4524QR	50
XK555 4551Q	65
XK555 4701D	62
XK555 4702QP	42
XK555 4707QP	61
XK555 4709E1	55
XK555 4709E2	56
XK555 4710QP	47
XK555 4715QP	54
XK555 4720QP	51
XK557 1308E	40
XK557 1308Q	42
XK557 1308T	43
XK557 1443E	41
XK557 4223E	48
XK557 4311E	55
XK557 4317E	52
XK557 4514Q	53
XK557 4514QR	53
XK557 4515F3	57
XK557 4515MF	57
XK557 4515P	58
XK557 4515Q	59
XK557 4524Q	49

PART NUMBER	PAGE
XK557 4524QA	50
XK557 4524QR	50
XK557 4551Q	65
XK557 4591D	37
XK557 4591E	38
XK557 4591S	38
XK557 4670Q	38
XK557 4692FC2	37
XK557 4702QP	42
XK557 4703QP	44
XK557 4707QP	61
XK557 4709E1	55
XK557 4709E2	56
XK557 4711QP	65
XK557 4715QP	54
XK557 4718QP	63
XK557 4719E	48
XK557 4719R	48
XK557 4725E	51
XK557 4725R	51
XK560 4515Q	59
XK560 4707QP	61
XKCOM 4311E	55
XKCOM 4515F3	57
XKCOM 4515Q	59
XKCOM 4524Q	49
XKCOM 4707QP	61
XKCOM 4709E1	55
XKCOM 4709E2	56
XS520 4311E	55
XS520 4515F3	57
XS520 4515P	58
XS520 4515Q	59
XS520 4701STD	62
XS520 4707QP	61
XS520 4709E1	55
XS520 4709E2	56
XS523 4311E	55
XS523 4515F3	57
XS523 4515Q	59
XS523 4707QP	61
XS523 4709E1	55
XS523 4709E2	56
XS540 4311E	55
XS540 4515F3	57
XS540 4515P	58
XS540 4515Q	59
XS540 4524Q	49
XS540 4707QP	61
XS540 4709E1	55
XS540 4709E2	56
XS550 1308E	40
XS550 1308Q	42
XS550 1308T	43
XS550 4311E	55
XS550 4514Q	53
XS550 4515F3	57
XS550 4515P	58
XS550 4515Q	59
XS550 4515P	58

NUMERICAL PART LISTING

PART NUMBER	PAGE	PART NUMBER	PAGE	PART NUMBER	PAGE
XS550 4515Q	59	XS557 4709E1	55	XSMA212 4549Q	47
XS550 4524Q	49	XS557 4709E2	56	XSMA212 4551F3L	64
XS550 4524QR	50	XS557 4711QP	65	XSMA212 4551F3R	64
XS550 4551Q	65	XS557 4715QP	54	XSMA212 4551P	64
XS550 4670Q	38	XS557 4718QP	63	XSMA212 4551Q	65
XS550 4702QP	42	XS557 4719ES	48	XSMA212 4552Q	66
XS550 4707QP	61	XS557 4725ES	51	XSMA212 4561T	47
XS550 4709E1	55	XS560 4515Q	59	XSMA212 4562SM	39
XS550 4709E2	56	XS560 4707QP	61	XSMA212 4591D	37
XS555 1308E	40	XSCOM 4311E	55	XSMA212 4591E	38
XS555 1308Q	42	XSCOM 4515F3	57	XSMA212 4591S	38
XS555 1308T	43	XSCOM 4515Q	59	XSMA212 4605BW	44
XS555 1443E	41	XSCOM 4524Q	49	XSMA212 4605SM	45
XS555 4311E	55	XSCOM 4527EC	66	XSMA212 4644Q	63
XS555 4317E	52	XSCOM 4707QP	61	XSMA212 4670Q	38
XS555 4514Q	53	XSCOM 4709E1	55	XSMA212 4674E	63
XS555 4514QR	60	XSCOM 4709E2	56	XSMA212 4692	39
XS555 4515F3	57	XSMA210 1308E	40	XSMA212 4692FC2	37
XS555 4515Q	59	XSMA210 1308Q	42	XSMA212 4692U	37
XS555 4524P	49	XSMA210 1443E	41	XSMA212 4693	40
XS555 4524Q	49	XSMA210 4311E	55	XSMA212 4701D	62
XS555 4524QR	50	XSMA210 4311EH	56	XSMA212 4701STD	62
XS555 4551Q	65	XSMA210 4515F3	58	XSMA212 4702QP	42
XS555 4701D	62	XSMA210 4515P	58	XSMA212 4703QP	44
XS555 4701STD	62	XSMA210 4515Q	59	XSMA212 4704QP	45
XS555 4702QP	42	XSMA210 4551Q	65	XSMA212 4705QP	46
XS555 4707QP	61	XSMA210 4702QP	42	XSMA212 4707QP	61
XS555 4709E1	55	XSMA210 4707QP	61	XSMA212 4709E1	55
XS555 4709E2	56	XSMA210 4709E1	55	XSMA212 4709E2	56
XS555 4710QP	47	XSMA210 4709E2	56	XSMA212 4710QP	47
XS555 4715QP	54	XSMA210 4711QP	65	XSMA212 4711QP	65
XS555 4720QP	51	XSMA210 4718QP	63	XSMA212 4715QP	54
XS557 1308E	40	XSMA212 1307T	39	XSMA212 4717ES	46
XS557 1308Q	42	XSMA212 1308E	40	XSMA212 4718QP	63
XS557 1308T	43	XSMA212 1308Q	42	XSMA212 4719ES	48
XS557 1443E	41	XSMA212 1308T	43	XSMA212 4720QP	51
XS557 4223E	48	XSMA212 1443E	41	XSMA212 4725ES	51
XS557 4311E	55	XSMA212 4223E	48	XSMA212 4726ES	64
XS557 4317E	52	XSMA212 4223EH	48	XSMA212 4729ES	41
XS557 4514Q	53	XSMA212 4311E	55	XSMA310 1308E	40
XS557 4514QR	53	XSMA212 4311EH	56	XSMA310 1308Q	42
XS557 4515F3	57	XSMA212 4317E	52	XSMA310 1308T	43
XS557 4515MF	57	XSMA212 4317EH	52	XSMA310 4311E	55
XS557 4515P	58	XSMA212 4504L	44	XSMA310 4311EH	56
XS557 4515Q	59	XSMA212 4505L	45	XSMA310 4514Q	53
XS557 4524Q	49	XSMA212 4514P	52	XSMA310 4514QR	53
XS557 4524QA	50	XSMA212 4514Q	53	XSMA310 4515F3	58
XS557 4524QR	50	XSMA212 4514QR	53	XSMA310 4515P	58
XS557 4527EC	66	XSMA212 4515B	54	XSMA310 4515Q	59
XS557 4551Q	65	XSMA212 4515F	57	XSMA310 4524Q	49
XS557 4591D	37	XSMA212 4515F3	58	XSMA310 4524QR	50
XS557 4591E	38	XSMA212 4515MF	57	XSMA310 4551Q	65
XS557 4591S	38	XSMA212 4515P	58	XSMA310 4602RD	46
XS557 4670Q	38	XSMA212 4515Q	59	XSMA310 4702QP	42
XS557 4692FC2	37	XSMA212 4524P	49	XSMA310 4707QP	61
XS557 4702QP	42	XSMA212 4524Q	49	XSMA310 4707QPM	61
XS557 4703QP	44	XSMA212 4524QR	50	XSMA310 4709E1	55
XS557 4707QP	61	XSMA212 4528L	43	XSMA310 4709E2	56

NUMERICAL PART LISTING

PART NUMBER	PAGE	PART NUMBER	PAGE	PART NUMBER	PAGE
XSMA310 4715QP	54	XSR301 4703QP	44		
XSMA310 4718QP	63	XSR301 4707QP	61		
XSMA310 4720QP	51	XSR301 4707QPM	61		
XSMA312 1308E	40	XSR301 4709E1	55		
XSMA312 1308Q	42	XSR301 4709E2	56		
XSMA312 1443E	41	XSR301 4710QP	47		
XSMA312 4223E	48	XSR301 4711QP	65		
XSMA312 4311E	55	XSR301 4715QP	54		
XSMA312 4317E	52	XSR301 4718QP	63		
XSMA312 4471RC	66	XSR301 4720QP	51		
XSMA312 4514Q	53	XSR403 4471RC	66		
XSMA312 4514QR	53	XSR403 4514Q	53		
XSMA312 4515F3	58	XSR403 4514QR	53		
XSMA312 4515P	58	XSR403 4515PC	59		
XSMA312 4515Q	59	XSR403 4515Q	59		
XSMA312 4524Q	49	XSR403 4515QM	60		
XSMA312 4524QR	50	XSR403 4524Q	49		
XSMA312 4551Q	65	XSR403 4524QR	50		
XSMA312 4670Q	38	XSR403 4527EC	66		
XSMA312 4701D	62	XSR403 4703QP	44		
XSMA312 4701STD	62	XSR403 4707QP	61		
XSMA312 4702QP	42	XSR403 4707QPM	61		
XSMA312 4703QP	44	XSR403 4707QPR	62		
XSMA312 4707QP	61	XSR403 4711QP	65		
XSMA312 4709E1	55	XSR403 4715QP	54		
XSMA312 4709E2	56				
XSMA312 4710QP	47				
XSMA312 4711QP	65				
XSMA312 4715QP	54				
XSMA312 4718QP	63				
XSMA312 4719E	48				
XSMA312 4720QP	51				
XSMA312 4725ES	51				
XSMA312 4726ES	64				
XSR301 1308E	40				
XSR301 1308Q	42				
XSR301 1308T	43				
XSR301 1443E	41				
XSR301 4311E	55				
XSR301 4311EH	56				
XSR301 4471RC	66				
XSR301 4514P	52				
XSR301 4514Q	53				
XSR301 4514QR	53				
XSR301 4515B	54				
XSR301 4515F3	58				
XSR301 4515MF	57				
XSR301 4515P	58				
XSR301 4515Q	59				
XSR301 4524P	49				
XSR301 4524Q	49				
XSR301 4524QA	50				
XSR301 4524QR	50				
XSR301 4551F3L	64				
XSR301 4551F3R	64				
XSR301 4551P	64				
XSR301 4551Q	65				
XSR301 4702QP	42				

NOTES

MERITOR AFTERMARKET PARTS WARRANTY

We warrant all new parts for one year from date of shipment to the buyer against defective material or workmanship (but not against damage caused by accident, abuse or improper installation, maintenance or repair) when such parts are used on vehicles the specifications of which have been approved by our Engineering Department.

As the exclusive remedy under this warranty, we will, at our option, repair or replace such parts free of charge, or take back the nonconforming parts and refund the monies paid by buyer for such parts, if found on examination by us to be nonconforming and if any necessary return charges are prepaid.

If it is necessary to return any parts under this warranty, buyer agrees not to make any deduction on account thereof from remittances on current accounts while claims are in the process of disposition. Any expense incurred without our consent for repairs or replacement will not be allowed.

THIS WARRANTY IS EXPRESSLY IN LIEU OF ALL OTHER WARRANTIES OR CONDITIONS, EXPRESS, IMPLIED OR STATUTORY, INCLUDING ANY IMPLIED WARRANTY OF MERCHANTABILITY OR FITNESS FOR PARTICULAR PURPOSE. IN NO EVENT SHALL SELLER BE LIABLE FOR INCIDENTAL OR CONSEQUENTIAL DAMAGES OF ANY NATURE.

Only genuine Meritor replacement parts are covered by this aftermarket parts warranty.

NOTES

Distributed by:



ArvinMeritor[™]

Meritor Heavy Vehicle Systems, LLC
7975 Dixie Highway
Florence, Kentucky 41042 USA
888-725-9355

www.arvinmeritor.com
XpresswayPlus.arvinmeritor.com

Information contained in this publication was in effect at the time the publication was approved for printing and is subject to change without notice or liability. ArvinMeritor reserves the right to revise the information presented or discontinue the production of parts at any time.

Litho in USA
Revised 9/09
PB-8857WD (13028/05060)
©2009 ArvinMeritor, Inc.